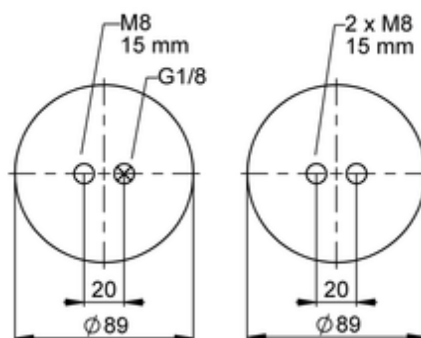
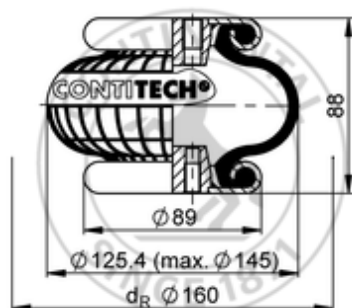





**FS 40-6 1/8 M8**

**2681001000**



bolt or stud    
  hole    
 ⊗ combination stud    
 ⊗ air inlet    
 ● stud and nut

 kg	0,9 kg
	G1/8: max. 25 Nm
	M8: max. 25 Nm

**OE Manufacturer/Reference No.**

Manufacturer	Original-part no.	Model
Volvo	AH-0188	