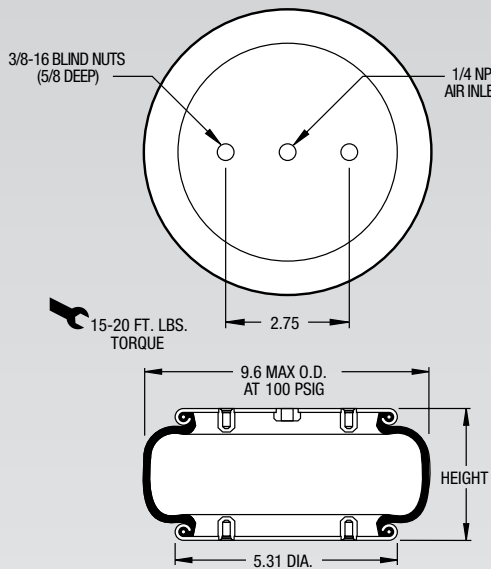


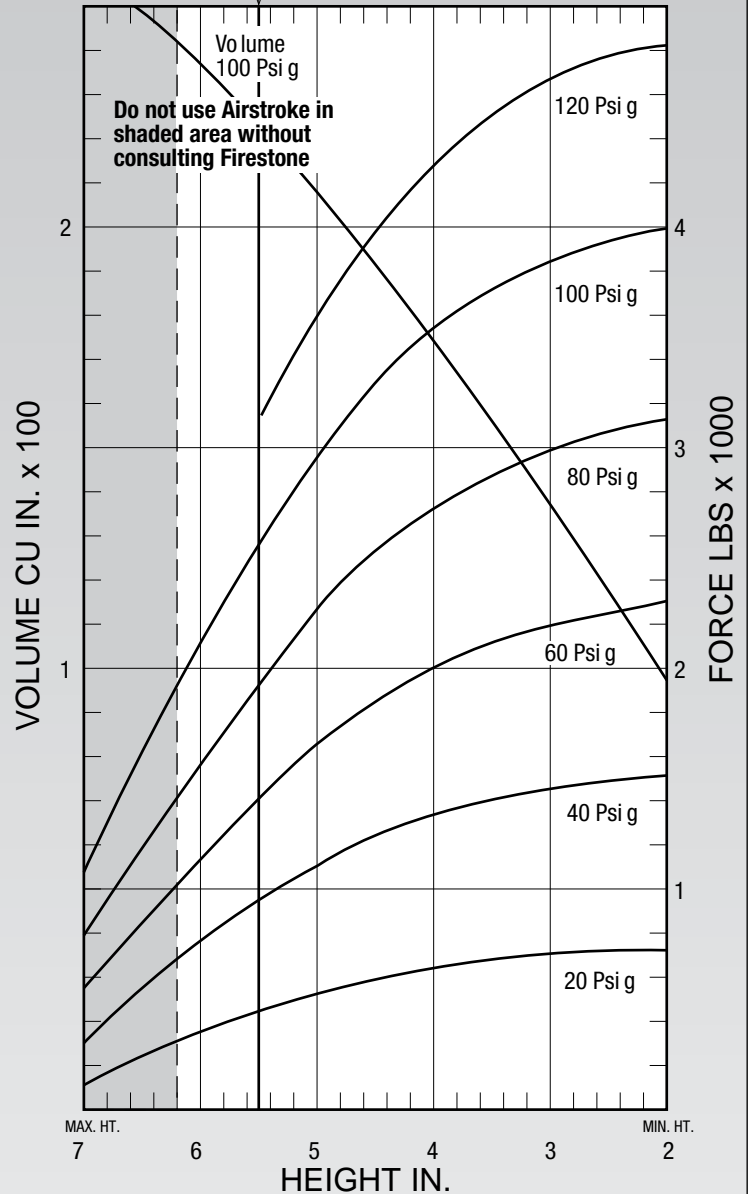
| Description   |                     | Assembly Order No. |
|---|---------------------|--------------------|
| Style 116-1   | Blind nuts, 1/4 NPT | W01-358-7598       |
|   | Blind nuts, 3/4 NPT | W01-358-7605       |
| Two Ply Bellows                                     |                     |                    |
| Assembly weight.....                                |                     | 4.6 lbs.           |
| Force to collapse to minimum height (@ 0 PSIG)..... |                     | 37 lbs.            |

Recommended Design Position Static Pressure 0-100 psi

RECOMMENDED AIRMOUNT DESIGN HEIGHT 5.5 INCHES



**NOTE:** A bead plate part is shown. This part is also available with bead rings. See pages 8-10 for explanation.



See page 12 for instructions on how to use chart.

| Dynamic Characteristics at 5.5 in. Design Height<br>(Required for Airmount isolator design only) |             |                        |                   |      |
|--|-------------|------------------------|-------------------|------|
| Volume @ 100 PSIG = 225 in <sup>3</sup>  |             |                        | Natural Frequency |      |
| Gage Pressure (PSIG)   | Load (lbs.) | Spring Rate (lbs./in.) | CPM               | HZ   |
| 40   | 940         | 564                    | 145               | 2.42 |
| 60   | 1,410       | 803                    | 141               | 2.36 |
| 80   | 1,930       | 1,054                  | 139               | 2.31 |
| 100  | 2,530       | 1,327                  | 136               | 2.26 |

| Force Table (Use for Airstroke™ actuator design) |                                      |              |          |          |          |           |
|--|--------------------------------------|--------------|----------|----------|----------|-----------|
| Assembly Height (in.)                            | Volume @ 100 PSIG (in <sup>3</sup> ) | Pounds Force |          |          |          |           |
|  |                                      | @20 PSIG     | @40 PSIG | @60 PSIG | @80 PSIG | @100 PSIG |
| 6.0  | 237                                  | 360          | 750      | 1,150    | 1,580    | 2,090     |
| 5.0  | 210                                  | 540          | 1,100    | 1,650    | 2,240    | 2,920     |
| 4.0  | 178                                  | 650          | 1,330    | 2,000    | 2,710    | 3,490     |
| 3.0  | 139                                  | 710          | 1,450    | 2,200    | 2,980    | 3,810     |