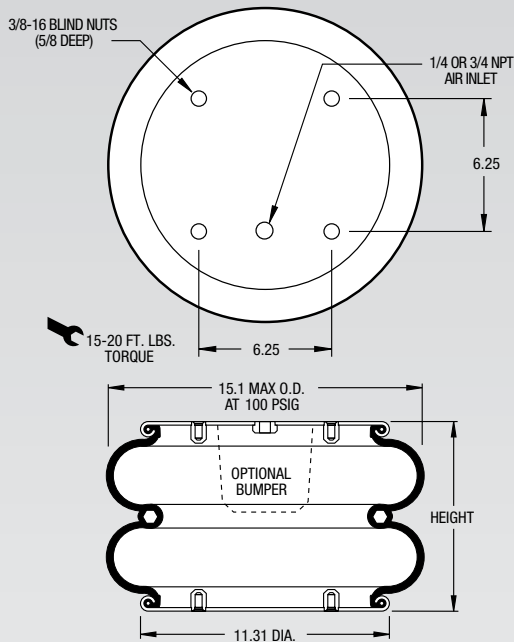


Description		Assembly Order No.
Style 21	Blind nuts, 1/4 NPT	W01-358-7145
	Blind nuts, 1/4 NPT, bumper	W01-358-7146
Two Ply Bellows	Blind nuts, 3/4 NPT	W01-358-7143
	Blind nuts, 3/4 NPT, bumper	W01-358-7144
	Countersunk steel bead rings, 1 3/4 bolts, nuts, washers	W01-358-7139
	Rubber bellows only	W01-358-0213
Assembly weight.....		17.3 lbs
Force to collapse to minimum height (@ 0 PSIG) .....		22 lbs.

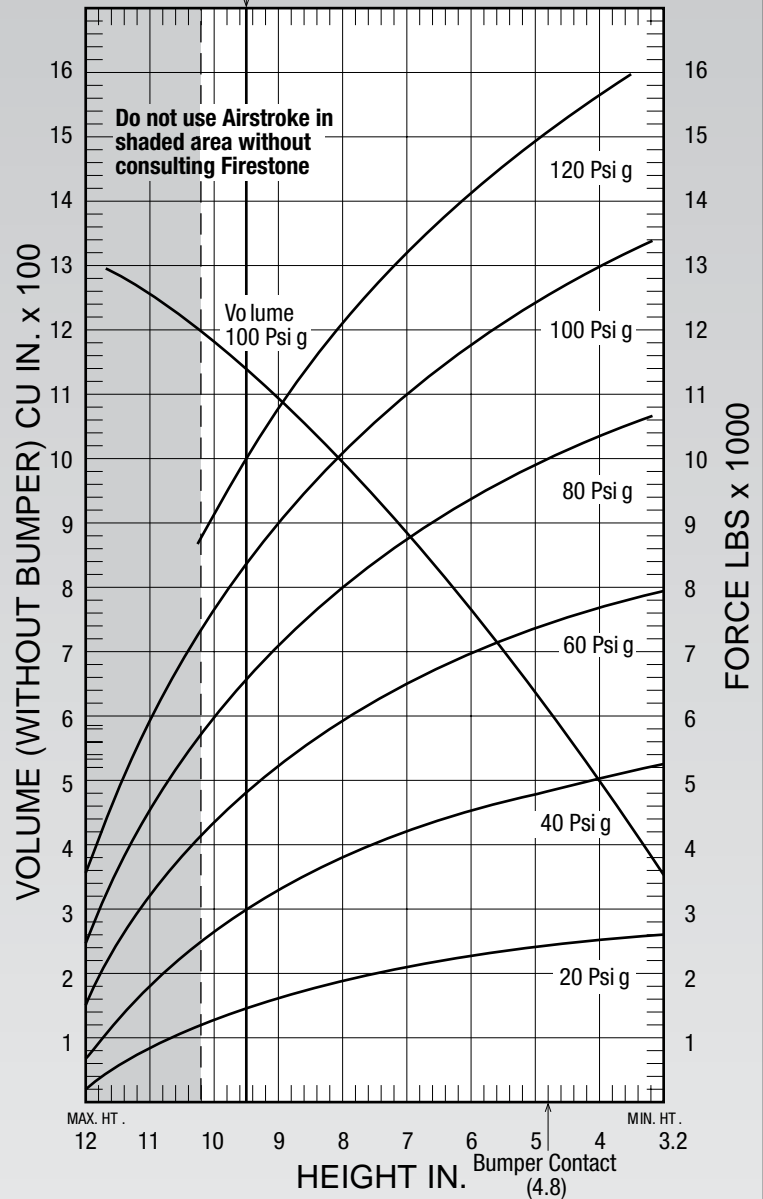
Style 205	Blind nuts, 1/4 NPT	W01-358-7208
	Blind nuts, 1/4 NPT, bumper	W01-358-7221
High Strength Bellows	Blind nuts, 3/4 NPT	W01-358-7224
	Countersunk steel bead rings, 1 3/4 bolts, nuts, washers	W01-358-7237
	Rubber bellows only	W01-358-7929



**NOTE:** A bead plate part is shown. This part is also available with bead rings. See pages 8-10 for explanation.

Dynamic Characteristics at 9.5 in. Design Height (Required for Airmount isolator design only)				
Volume @ 100 PSIG = 1,136 in <sup>3</sup>			Natural Frequency	
Gage Pressure (PSIG)	Load (lbs.)	Spring Rate (lbs./in.)	CPM	HZ
40	3,030	1,110	114	1.89
60	4,750	1,582	108	1.80
80	6,540	2,044	105	1.75
100	8,330	2,500	103	1.71

Recommended Design Position Static Pressure 0-100 psi  
RECOMMENDED AIRMOUNT DESIGN HEIGHT 9.5 INCHES



See page 12 for instructions on how to use chart.

Force Table (Use for Airstroke™ actuator design)						
Assembly Height (in.)	Volume @ 100 PSIG (in <sup>3</sup> )	Pounds Force				
		@20 PSIG	@40 PSIG	@60 PSIG	@80 PSIG	@100 PSIG
10.0	1,180	1,260	2,670	4,240	5,890	7,550
9.0	1,091	1,590	3,330	5,180	7,100	9,010
8.0	989	1,810	3,800	5,850	7,980	10,120
7.0	878	2,000	4,180	6,400	8,700	11,020
6.0	758	2,160	4,490	6,860	9,310	11,760
5.0	630	2,300	4,760	7,260	9,830	12,400
4.0	497	2,440	5,010	7,620	10,300	12,960