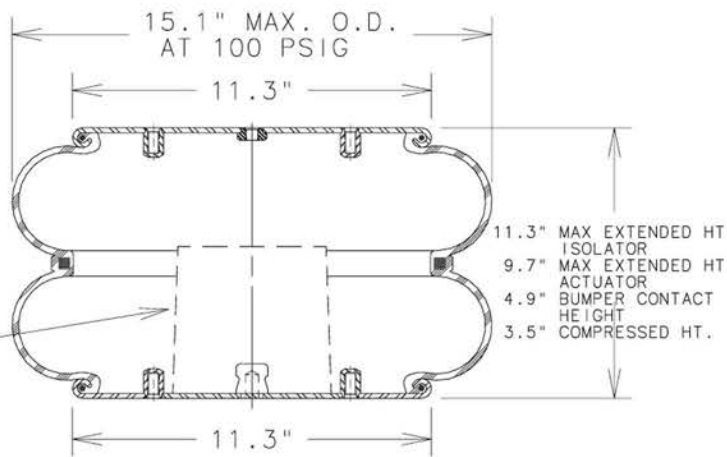
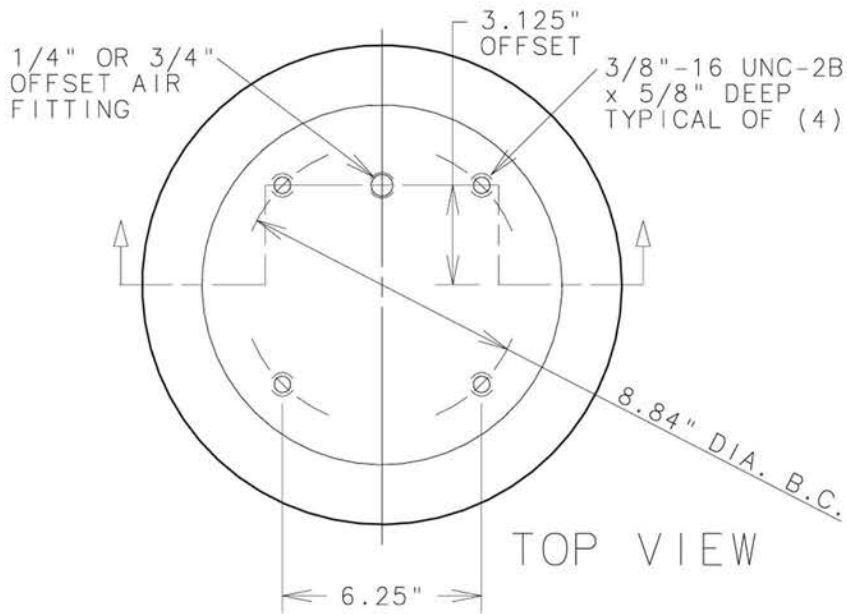
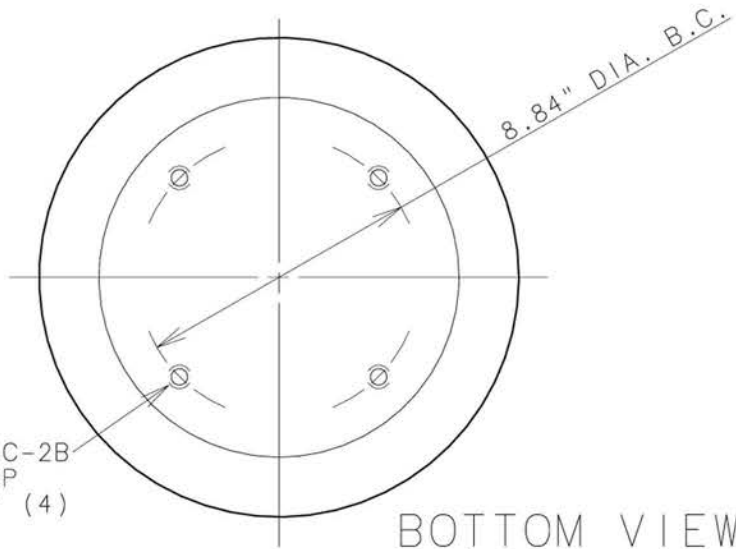


# 2B14-354



SIDE VIEW



ASSEMBLY NUMBER	ELASTOMER	AIR FITTING	BUMPER INCLUDED
2B14-354	NAT. RUBBER	1/4"-18 NPTF OFFSET 3.125"	NO
2B14-355	NAT. RUBBER	1/4"-18 NPTF OFFSET 3.125"	YES
2B14-352	NAT. RUBBER	3/4"-14 NPTF OFFSET 3.125"	NO
2B14-353	NAT. RUBBER	3/4"-14 NPTF OFFSET 3.125"	YES
578923353 FLEXMEMBER ONLY	NAT. RUBBER	----	---

## SPRING FEATURES:

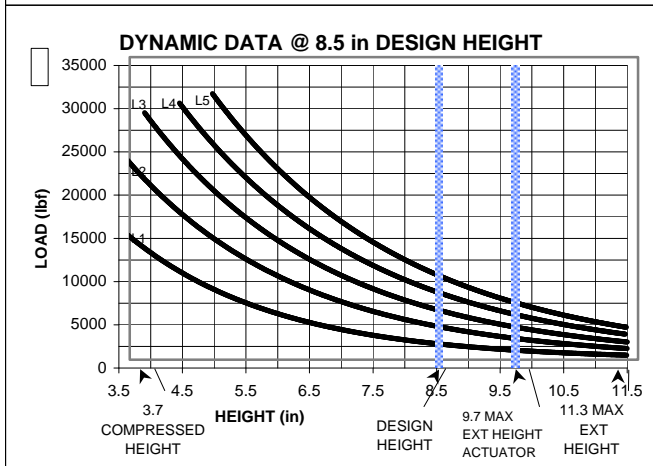
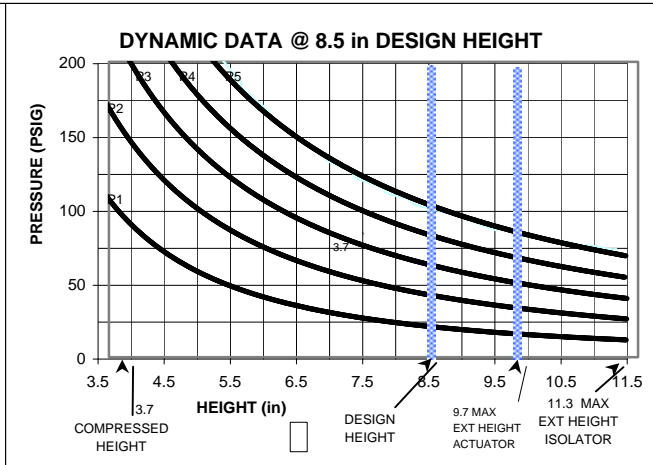
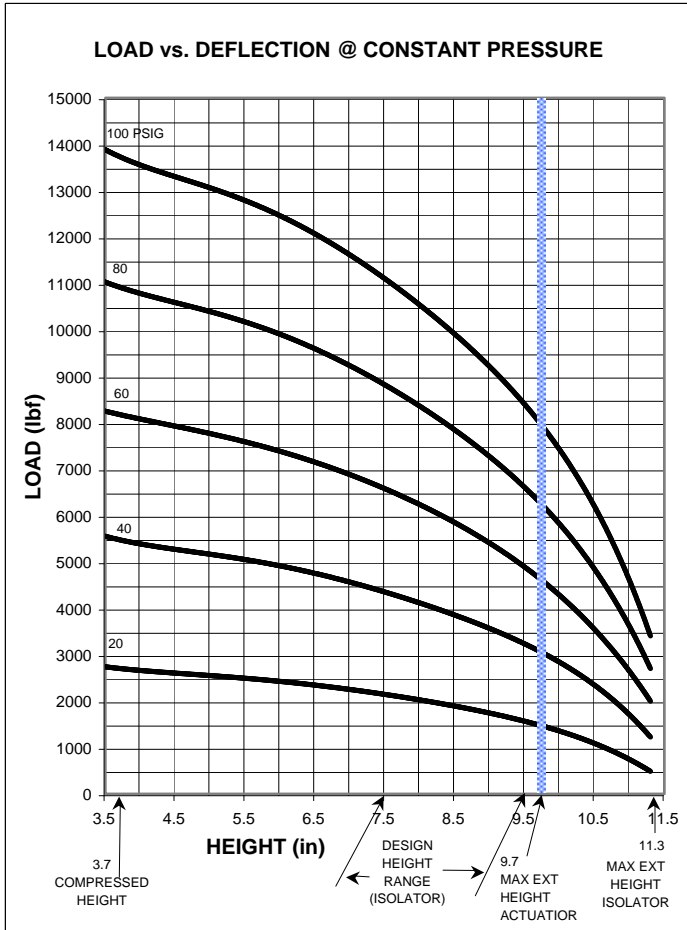
- LOAD RANGE (ISOLATOR).....1500-11100 lb
- DESIGN HEIGHT RANGE (ISOLATOR).....7.5-9.5 in
- USEABLE STROKE w/o BUMPER (ACTUATOR)....6.0 in
- USEABLE STROKE WITH BUMPER (ACTUATOR)...4.8 in
- ASSEMBLY WEIGHT.....18.5 lb
- TEMPERATURE RANGE\*.....
- FORCE TO COMPRESS AT 0 PSIG (APPROX.)...165 lb
- NOMINAL FREE STANDING HT. AT 0 PSIG.....8.5 in

- NOTE: PRODUCT LIFE MAY BE SHORTENED WHEN OPERATING AT OR NEAR EXTREME TEMPERATURES. SEE TEMPERATURE RANGE GUIDELINES SECTION.

## RECOMMENDED MAX. TORQUE VALUES

3/8"-16 UNC BLIND TAP TYP. OF (8)	1/4"-18 UNC AIR FITTING	3/4"-14 UNC AIR FITTING
300 in-lb 25 ft-lb	240 in-lb 20 ft-lb	240 in-lb 20 ft-lb

NOTE: SEE GUIDELINES FOR PROPER APPLICATION OF THIS PRODUCT



**\*\*NOTE: MAXIMUM INFLATION PRESSURE IS 100 PSIG. MAXIMUM JOUNCE PRESSURE IS 200 PSIG. IF YOUR APPLICATION WILL EXCEED THESE LIMITS, CONSULT A GOODYEAR REPRESENTATIVE FOR APPLICATION ASSISTANCE.**

## CONSTANT PRESSURE CHARACTERISTICS

Assembly Height (in)	Volume @ 100 PSIG (in <sup>3</sup> )	Force (lb)				
		@ 20 PSIG	@ 40 PSIG	@ 60 PSIG	@ 80 PSIG	@ 100 PSIG
11.3	1244	480	1200	2000	2700	3400
10.5	1189	1100	2300	3500	5600	6200
9.7	1119	1400	3000	4600	6500	7900
9.5	1100	1500	3200	4900	6600	8400
9.0	1046	1700	3500	5400	7300	9200
8.5	994	1900	3900	5900	7900	10000
7.5	879	2200	4400	6600	8900	11100
6.5	756	2400	4800	7200	9700	12200
5.5	631	2500	5100	7600	10300	12900
4.5	509	2600	5300	8000	10700	13200
3.7	413	2650	5350	8100	10900	13700
3.5	389	2700	5400	8200	11000	13900

## DYNAMIC CHARACTERISTICS

Design Height (in)	Load (lb)	Pressure (PSIG)	Spring Rate (lb/in)	Natural Frequency	
				cpm	Hz
9.5	2000	24	810	119	1.98
	4000	48	1435	112	1.87
	6000	70	2015	109	1.82
	8000	93	2615	107	1.78
8.5	2000	20	730	114	1.90
	4000	41	1305	107	1.78
	6000	61	1830	104	1.73
	8000	80	2355	102	1.70
	10000	99	2860	100	1.67
7.5	2000	18	805	119	1.98
	4000	36	1370	109	1.82
	6000	54	1860	105	1.75
	8000	72	2395	103	1.72
	10000	90	2925	102	1.70