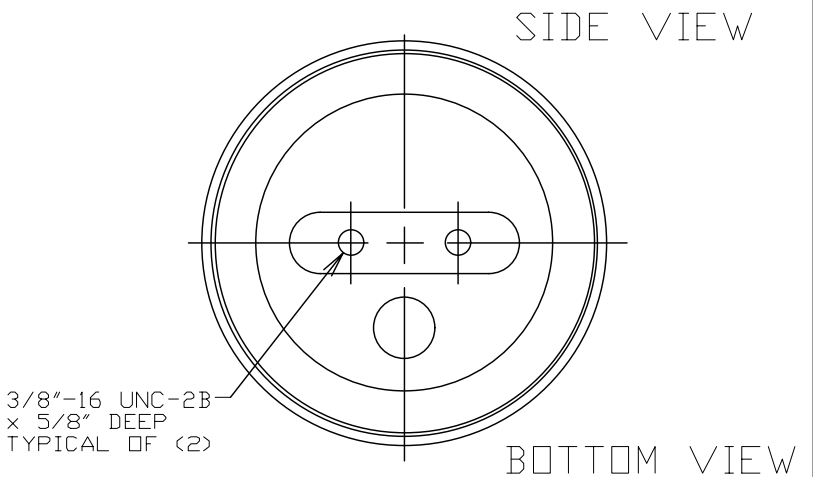
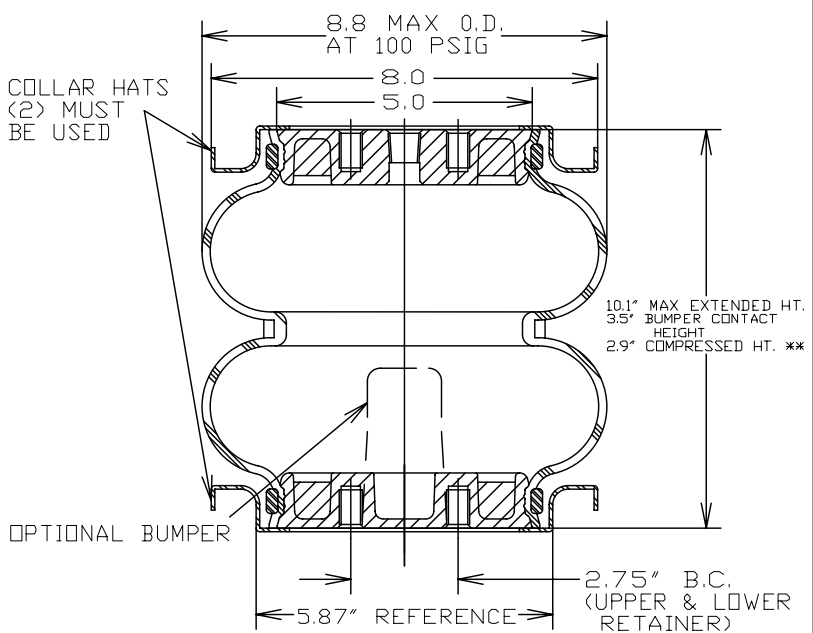
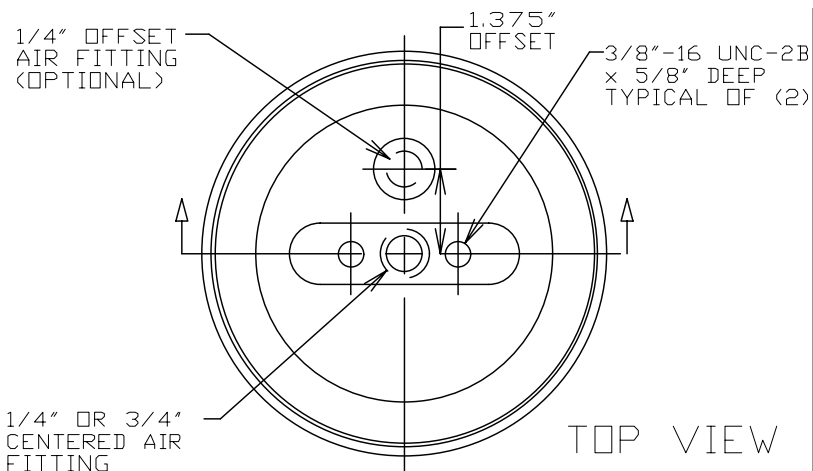


# 2B8-550



ASSEMBLY NUMBER	ELASTOMER	AIR FITTING	BUMPER INCLUDED
2B8-550	WINGPRENE	1/4"-18 NPTF CENTERED	NO
2B8-552	WINGPRENE	3/4"-14 NPTF CENTERED	NO
2B8-553	WINGPRENE	1/4"-18 NPTF OFFSET 1.375"	NO
2B8-554	WINGPRENE	1/4"-18 NPTF OFFSET 1.375"	YES

## SPRING FEATURES:

- LOAD RANGE (ISOLATOR).....440-2700 lb
- DESIGN HEIGHT RANGE (ISOLATOR).....7.0-8.0 in
- USEABLE STROKE w/o BUMPER (ACTUATOR)\*\*\*.6.9 in
- USEABLE STROKE WITH BUMPER (ACTUATOR)...6.6 in
- ASSEMBLY WEIGHT w/o BUMPER.....7.7 lb
- TEMPERATURE RANGE\*.....
- FORCE TO COMPRESS AT 0 PSIG (See Note \*\*)
- NOMINAL FREE STANDING HT. AT 0 PSIG.....8.8 in

\* NOTE: PRODUCT LIFE MAY BE SHORTENED WHEN OPERATING AT OR NEAR EXTREME TEMPERATURES. SEE TEMPERATURE RANGE GUIDELINES SECTION.

\*\* NOTE: FORCE TO COMPRESS AT 0 PSI INTERNAL PRESSURE NO BUMPER IS:  
 (100 LBS FORCE TO GO TO 3.4" HEIGHT)  
 (150 LBS FORCE TO GO TO 3.2" HEIGHT)  
 (310 LBS FORCE TO GO TO 3.0" HEIGHT)  
 (480 LBS FORCE TO GO TO 2.9" HEIGHT)

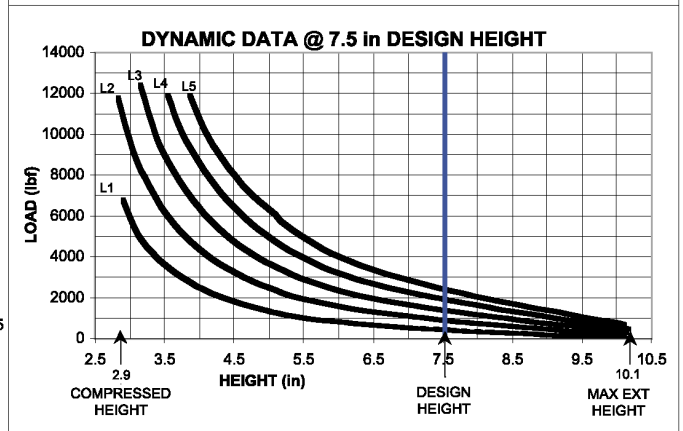
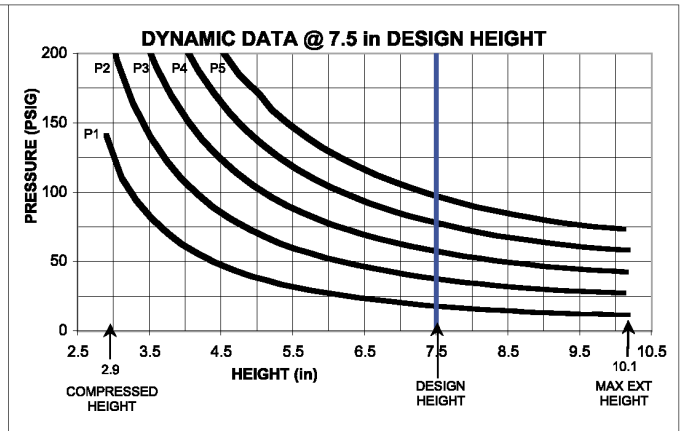
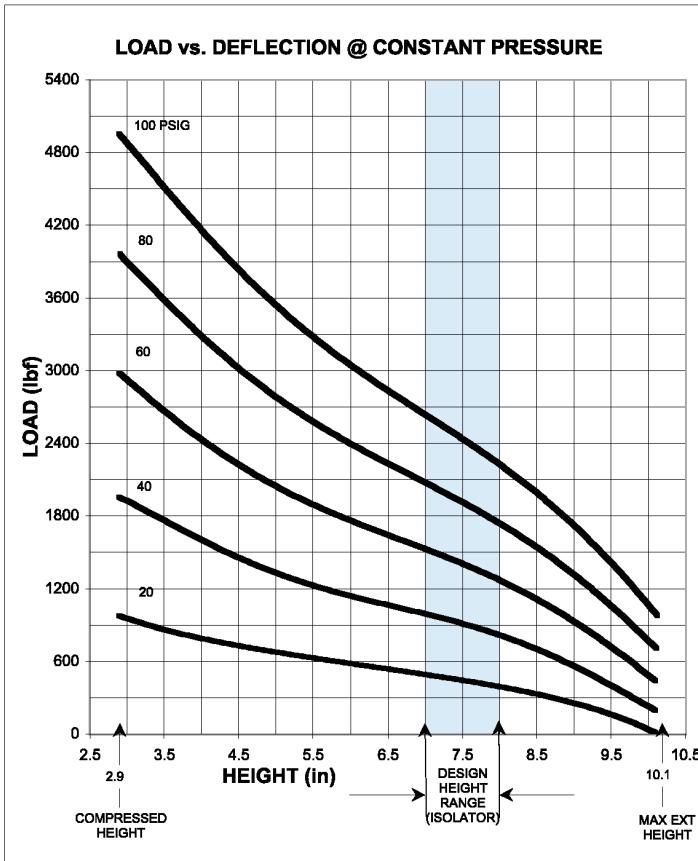
\*\*\* BASED ON 3.2" COMPRESSED HEIGHT

## RECOMMENDED MAX. TORQUE VALUES

3/8"-16 UNC BLIND TAP TYP. OF (4)	1/4"-18 UNC AIR FITTING
240 in-lb 20 ft-lb	240 in-lb 20 ft-lb

NOTE: SEE GUIDELINES FOR PROPER APPLICATION OF THIS PRODUCT

GRAPHS FOR REFERENCE ONLY - USE THE CHART DATA BELOW FOR DESIGN WORK



**\*\*NOTE: MAXIMUM INFLATION PRESSURE IS 100 PSIG. MAXIMUM JOUNCE PRESSURE IS 200 PSIG. IF YOUR APPLICATION WILL EXCEED THESE LIMITS, CONSULT A GOODYEAR REPRESENTATIVE FOR APPLICATION ASSISTANCE.**

## CONSTANT PRESSURE CHARACTERISTICS

Assembly Height (in)	Volume @ 100 PSIG (in <sup>3</sup> )	Nominal Force (lb)				
		@ 20 PSIG	@ 40 PSIG	@ 60 PSIG	@ 80 PSIG	@ 100 PSIG
10.1	295	30	180	450	700	1000
9.0	274	300	600	1000	1350	1800
8.0	249	440	850	1300	1800	2300
7.5	235	500	950	1450	2000	2500
7.0	221	540	1050	1600	2100	2700
6.0	190	600	1200	1800	2400	3100
5.0	156	750	1400	2100	2900	3600
4.0	121	950	1700	2500	3400	4300
3.5	99	1000	1900	2800	3700	4600
2.9	75	1200	2100	3100	4100	5000

## DYNAMIC CHARACTERISTICS

Design Height (in)	Load (lb)	Pressure (PSIG)	Spring Rate (lb/in)	Natural Frequency	
				cpm	Hz
8.0	500	22	230	128	2.13
	1000	44	400	120	2.00
	1500	65	560	115	1.92
	2000	87	710	112	1.87
7.5	500	20	220	125	2.08
	1000	41	385	117	1.95
	1500	60	535	112	1.87
	2000	79	680	110	1.83
7.0	500	19	220	125	2.08
	1000	38	380	116	1.93
	1500	57	530	112	1.87
	2000	74	675	109	1.82
7.0	2500	92	820	108	1.80