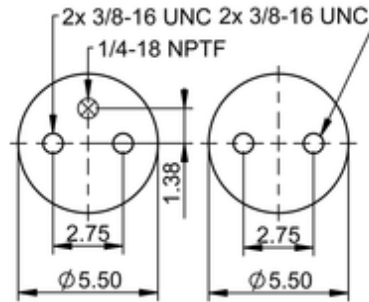
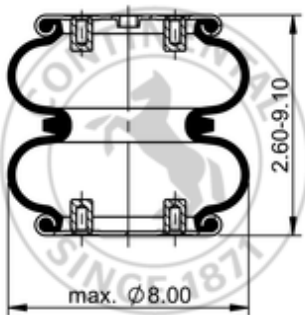





FD 110-15 766

66094



	4.4 lb
	1/4-18 NPTF: max. 22 lbf ft
	3/8-16 UNC: max. 20 lbf ft

Cross-reference

Goodyear	2B6-535
Goodyear Flex No.	579923515
Triangle	AS-4766
Automann	2B06RD-C766

OE Manufacturer/Part No.

Manufacturer	Original Part No.	Model
Load Air	P10-754-U	

