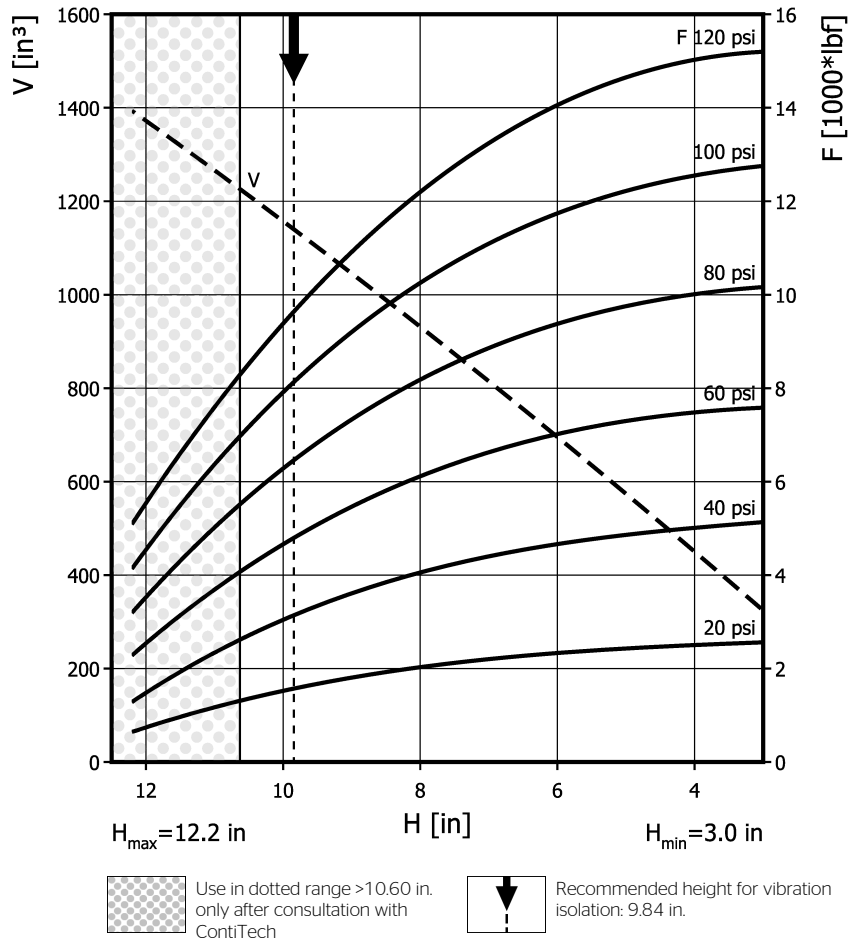
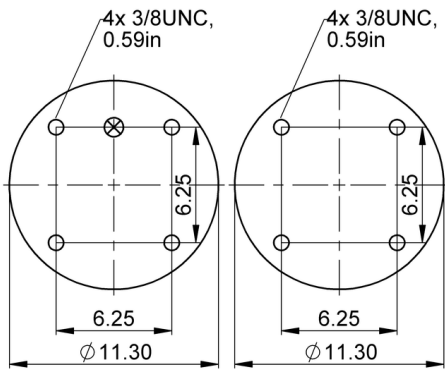
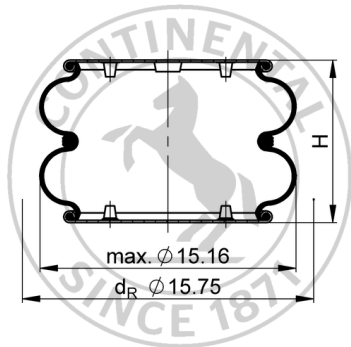


FD 530-22 CI

Double Convolution Air Actuator



Purchase order data

Type	Order No.
rubber bellows only	70413
with crimped plates, 1/4 NPT air inlet A = 3.13 in. excentrical	64548
with crimped plates, 3/4 NPT air inlet A = 3.13 in. excentrical	74101

Additional types on request

Technical data

Min. pressure	0 psi
Return force to min height	≤ 90 lbf
Overall weight	15.2 lb

Vibration isolation - dynamic characteristic values

Design height H: recommended 9.84 inch, minimum 8.86 inch

Pressure p [psi]	40	60	80	100	120	Vol. V [in.³]
Force (Load) [lbf]	3120	4810	6460	8150	9760	
Spring rate [lbf/in.]	1180	1680	2180	2680	3180	
Natural frequency [Hz]	1.9	1.8	1.8	1.8	1.7	

Pneumatic application - static characteristic values

Force F [lbf]

Pressure p [psi]	40	60	80	100	120	Vol. V [in.³]	
Height H [in.]	10.5	2740	4210	5690	7170		1200
	9.0	3600	5440	7300	9180		1000
	7.5	4190	6350	8490	10600		870
	6.0	4670	7030	9390	11800		700
	4.5	4970	7410	9900	12400	510	



Service instructions
 3/8-16 UNC: max. 20 lbf ft
 1/4 NPT: max. 20 lbf ft
 3/4 NPT: max. 40 lbf ft

Measuring procedure: Room temperature / Force-height-data quasistatic / Dynamic data at 1 Hz