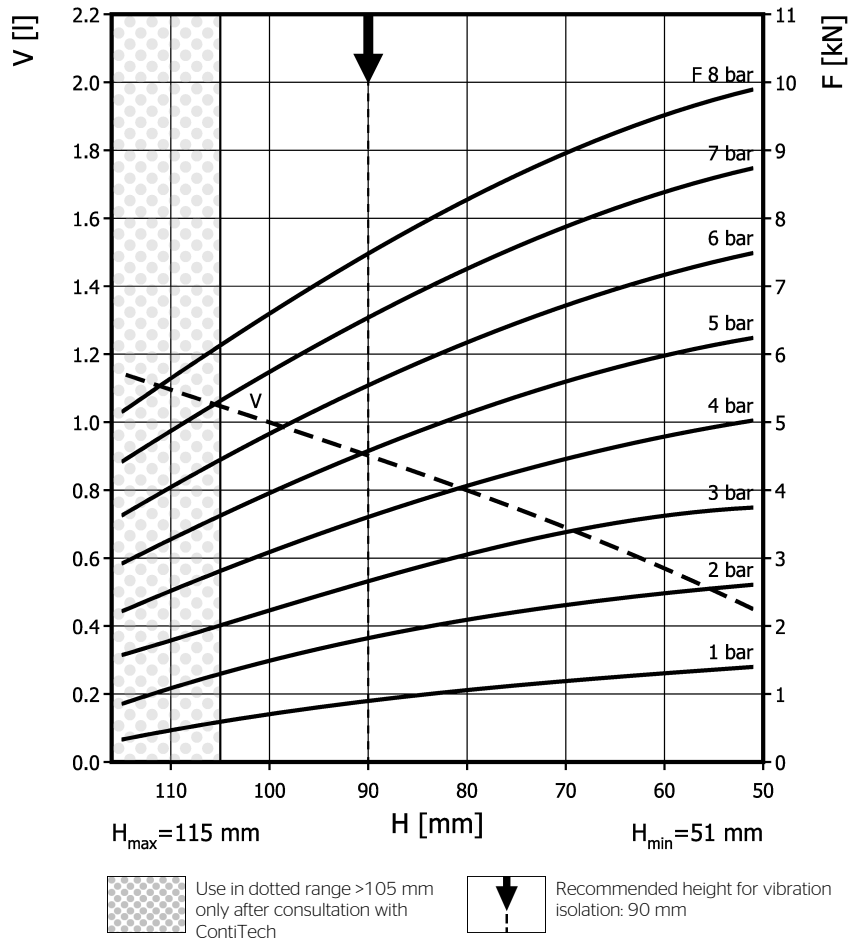
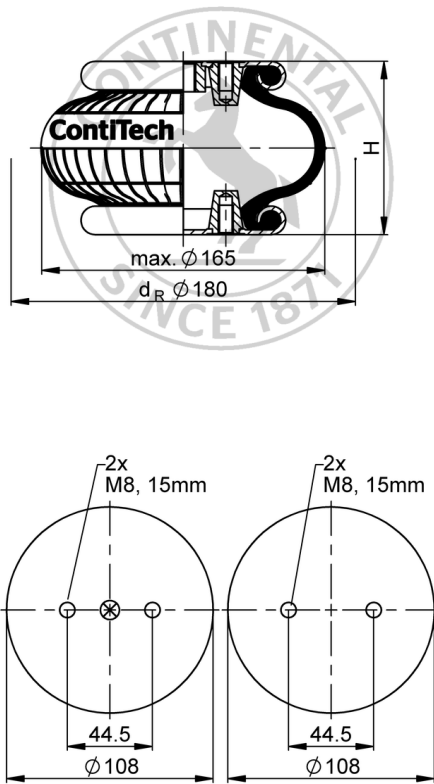


FS 70-7 CI

Single Convolution Air Actuator



Purchase order data

| Type | Order No. |
|---|------------|
| rubber bellows only | 60512 |
| with crimped plates, G1/4 air inlet A = 0 mm excentrical | 2681015000 |
| with stainless steel crimped plates, G1/4 air inlet A = 0 mm excentrical | 61746 |

Additional types on request

Technical data

| | |
|----------------------------|---------|
| Min. pressure | 0 bar |
| Return force to min height | ≤ 200 N |
| Overall weight | 1.2 kg |

Vibration isolation - dynamic characteristic values

Design height H: recommended 90mm, minimum 70mm

| Pressure p [bar] | 3 | 4 | 5 | 6 | 7 | 8 | Vol. V [l] |
|------------------------|-----|-----|-----|-----|-----|-------|------------|
| Force (Load) [kN] | 2.7 | 3.7 | 4.7 | 5.7 | 6.6 | 7.7 | |
| Spring rate [N/mm] | 104 | 127 | 153 | 177 | 206 | 232.5 | |
| Natural frequency [Hz] | 3.1 | 2.9 | 2.9 | 2.8 | 2.8 | 2.7 | |

Pneumatic application - static characteristic values

Force F [kN]

| Pressure p [bar] | 3 | 4 | 5 | 6 | 7 | 8 | Vol. V [l] | |
|------------------|-----|------|------|------|------|------|------------|------|
| Height H [mm] | 100 | 2.23 | 3.09 | 3.96 | 4.82 | 5.74 | | 6.58 |
| | 90 | 2.66 | 3.61 | 4.57 | 5.55 | 6.54 | 7.5 | 0.9 |
| | 80 | 3.05 | 4.06 | 5.12 | 6.17 | 7.25 | 8.28 | 0.8 |
| | 70 | 3.38 | 4.45 | 5.59 | 6.7 | 7.87 | 8.95 | 0.69 |
| | 60 | 3.63 | 4.8 | 6 | 7.19 | 8.4 | 9.51 | 0.57 |


 Service instructions
 M8: max. 25 Nm
 G1/4: max. 25 Nm

Measuring procedure: Room temperature / Force-height-data quasistatic / Dynamic data at 1 Hz