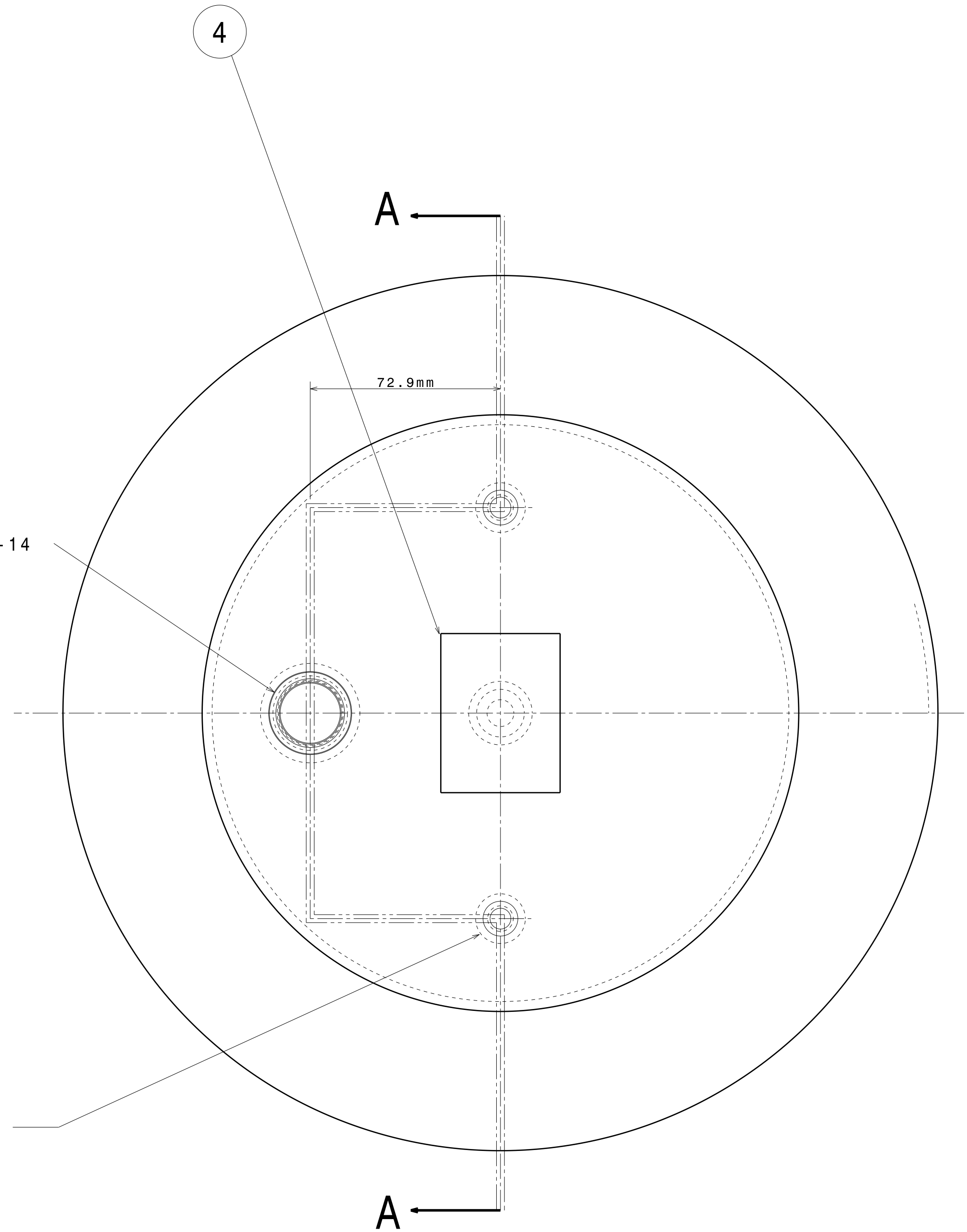


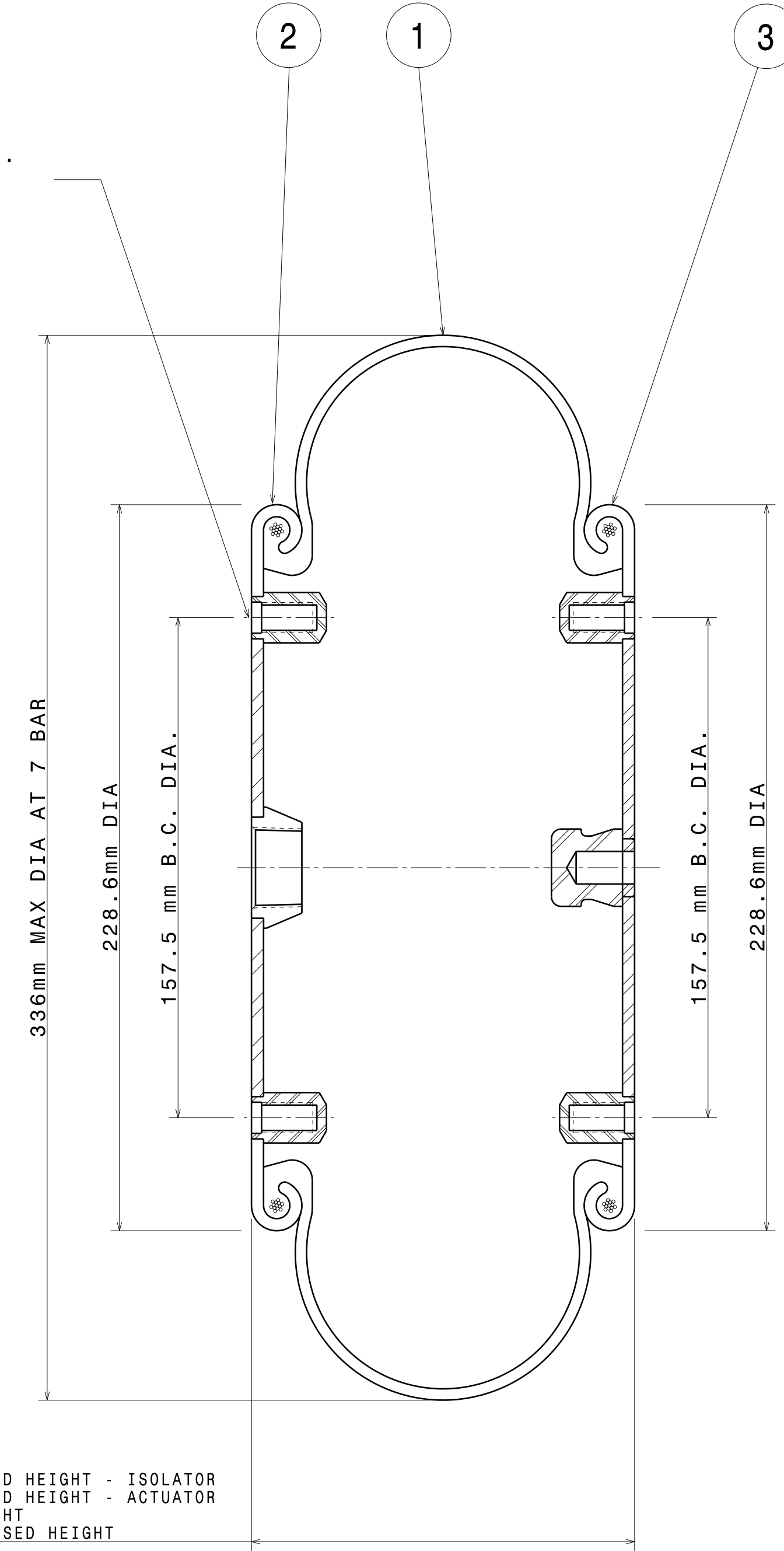
BLIND TAPS IN BOTH RETAINERS  
ARE TO BE 0° ± 3°.

ISO228-G3/4-14



M8-1.25 6H X 15.9MM M.E.T.  
TYP (4) PLACES AS SHOWN

183mm MAX EXTENDED HEIGHT - ISOLATOR  
142mm MAX EXTENDED HEIGHT - ACTUATOR  
125mm DESIGN HEIGHT  
59mm MIN COMPRESSED HEIGHT



NOTES:

1. ALL DIMENSIONS ARE IN METRIC UNLESS OTHERWISE NOTED.
2. ASSEMBLY DESIGNED TO OPERATE BETWEEN -67°F AND +158°F.
3. MINIMUM PRESSURE AT MAXIMUM EXTENSION IS NOT TO BE LESS THAN 5 PSIG.
4. ASSEMBLY PRESSURE TESTED PER GMS XIII-301.
5. CUSTOMER TO PROVIDE MECHANICAL DEVICE TO LIMIT EXTENSION TO MAXIMUM EXTENDED HEIGHT AND COMPRESSION TO METAL TO METAL HEIGHT.

ITEM	NAME	DRAWING NUMBER	REQ.
4	WARNING & IDENT. LABEL	566-00-9-269	1
3	LOWER BEAD PLATE	ASA-92-6-101	1
2	UPPER BEAD PLATE	ASA-92-8-323	1
1	FLEXIBLE MEMBER	ASD-91-3-301	1

BILL OF MATERIALS

INDICATES A KEY CRITICAL CHARACTERISTIC(KCC), WHICH MUST CONFORM TO GMS VI-010

VEYANCE TECHNOLOGIES, INC. FAIRLAWN OHIO		TOLERANCE ON FINISHED SURFACES, UNLESS OTHERWISE SHOWN	
12	REV. BY	11	REV. BY
5	REV. BY	6	REV. BY
4	REV. BY	3	REV. BY
DWR_06-17-03		ADDED ACTUATOR HEIGHT 142mm.	
1	REV. BY	2	REV. BY
DWR_06-17-03		ADDED ACTUATOR HEIGHT 142mm.	
JP WISE 02/03/98		SCALE: HALF	
578-91-2-318		TITLE AIR SPRING ASSEMBLY	
F-021-041, R00 ASSY FRAME-D		PART NUMBER 1B12-318	

NOTE: DRAWING MAY NOT BE PLOTTED TO SCALE