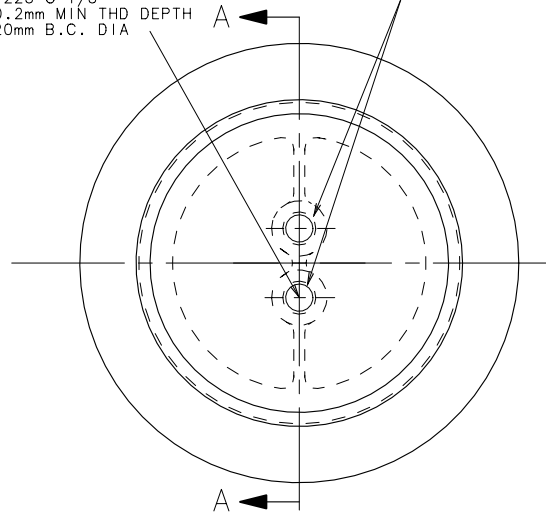


579-91-2-800

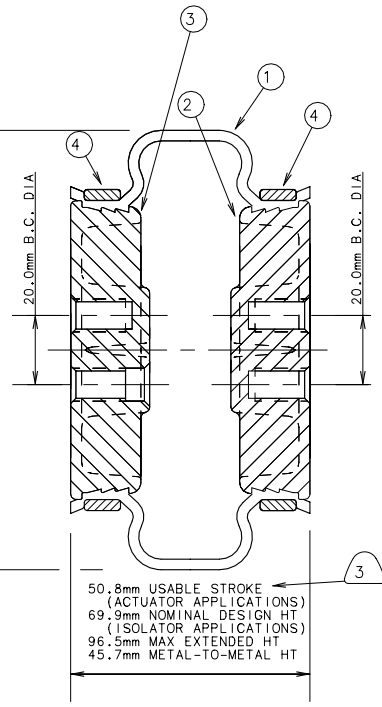
ISO-228 G 1/8
x 10.2mm MIN THD DEPTH
ON 20mm B.C. DIA

M8 x 1.25 6H x 15.88mm
MIN THD DEPTH (BLIND TAPS)
(TYP. 1 TOP, 2 BOTTOM)



(R2)

145mm MAX DIA @ D.H. & 6.9 bar



50.8mm USABLE STROKE (ACTUATOR APPLICATIONS)
69.9mm NOMINAL DESIGN HT (ISOLATOR APPLICATIONS)
96.5mm MAX EXTENDED HT
45.7mm METAL-TO-METAL HT

NOTES:

- CENTERLINES OF MOUNTING HOLE AND AIR FITTING OF UPPER RETAINER AND MOUNTING HOLES OF LOWER RETAINER ALIGNED WITHIN +/- 2°.
- DO NOT INFLATE UNLESS FULLY SECURED IN THE SUSPENSION OR OTHER ADEQUATE STRUCTURE AT DESIGN HEIGHT.
DO NOT INFLATE TO MORE THAN 6.9 bar WITHOUT GOODYEAR APPROVAL.
PRESSURE NOT TO EXCEED 11 bar UNDER ANY CONDITION.
- USABLE STROKE STARTS AT MINIMUM HEIGHT.
- ASSEMBLY TO BE SUPPORTED TOP AND BOTTOM BY MINIMUM 95mm DIA PLATE.
- FASTENER TORQUE AT INSTALLATION NOT TO EXCEED 27N-m.

5			
4	CLAMP RING	ASA-08-4-018	2
3	UPPER RETAINER	ASC-92-8-280	1
2	LOWER RETAINER	ASC-92-6-081	1
1	FLEXIBLE MEMBER	579-91-3-500	1
ITEM	NAME	DRAWING NO./SPEC	REQ

BILL OF MATERIALS

INDICATES A KEY CRITICAL CHARACTERISTIC (KCC), WHICH MUST CONFORM TO GMS VI-010

REV. BY: _____ REV. BY: _____

REV. BY: MS-477/98 REV. BY: _____

L.R. WAS -099 MAX OD WAS 139.7mm

THE GOODYEAR TIRE & RUBBER COMPANY GREEN, OHIO

This drawing and the subject matter herein are the property of The Goodyear Tire & Rubber Company. All rights reserved. No part of this drawing or the subject matter herein may be reproduced, stored in a retrieval system, or transmitted in any form or by any means, electronic, mechanical, photocopying, recording, or by any information storage and retrieval system, without the prior written consent of Goodyear.

DATE: 10/15/96

DESIGNED BY: _____ CHECKED BY: _____

DATE: _____ DATE: _____

REFERENCE -

SCALE: _____

DPT. NO. 021

TITLE: METRIC AIR SPRING ASSEMBLY

579-91-2-800

ASSY FRAME-9