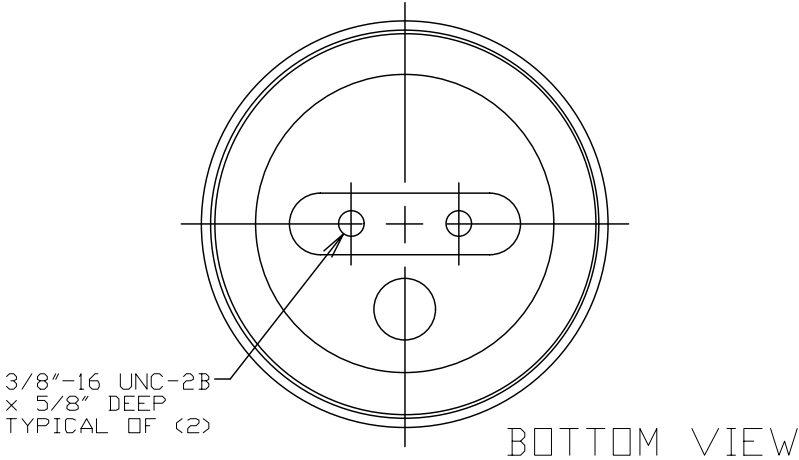
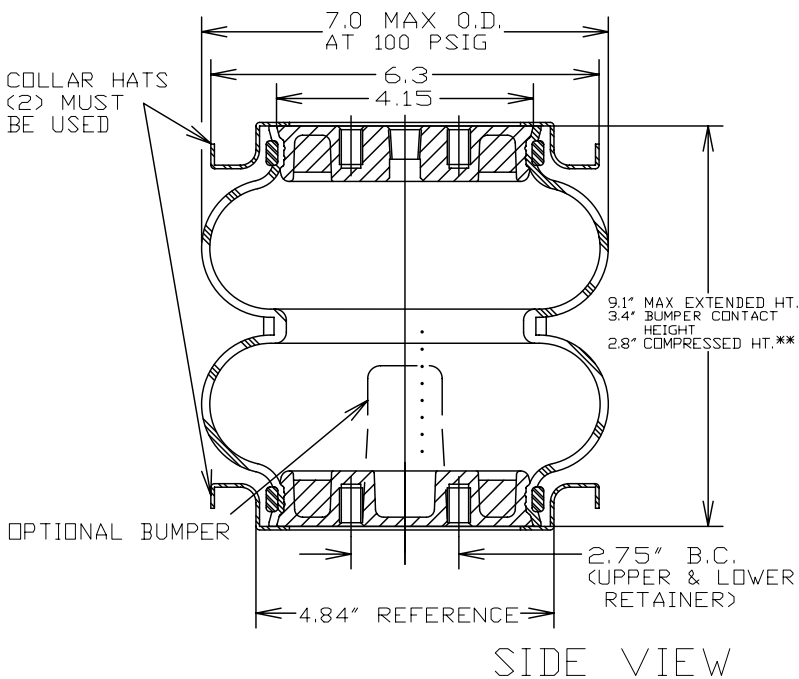
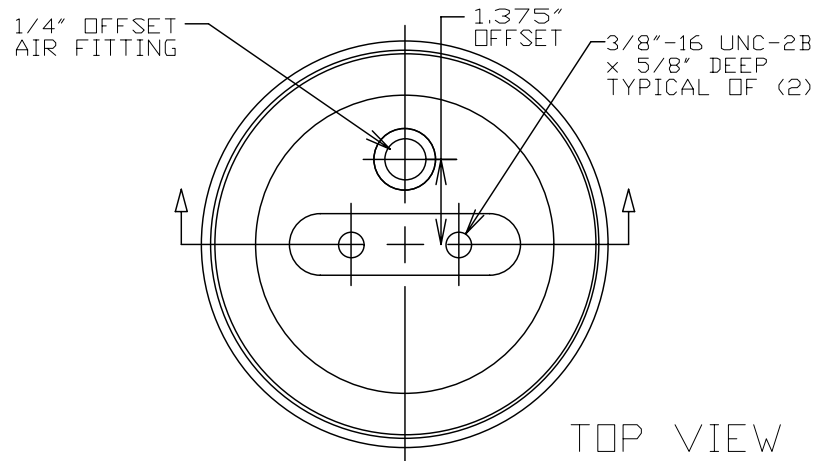


2B6-535



ASSEMBLY NUMBER	ELASTOMER	AIR FITTING	BUMPER INCLUDED
2B6-535	WINGPRENE	1/4"-18 NPTF OFFSET	NO
2B6-536	WINGPRENE	1/4"-18 NPTF OFFSET 1.375"	YES

SPRING FEATURES:

- LOAD RANGE (ISOLATOR).....300-2200 lb
- DESIGN HEIGHT RANGE (ISOLATOR).....5.0-7.0 in
- USEABLE STROKE w/o BUMPER (ACTUATOR)...5.9 in
- USEABLE STROKE WITH BUMPER (ACTUATOR)...5.7 in
- ASSEMBLY WEIGHT w/o BUMPER.....5.2 lb
- TEMPERATURE RANGE*.....
- FORCE TO COMPRESS AT 0 PSIG (See Note **)
- NOMINAL FREE STANDING HT. AT 0 PSIG.....7.1 in

* NOTE: PRODUCT LIFE MAY BE SHORTENED WHEN OPERATING AT OR NEAR EXTREME TEMPERATURES. SEE TEMPERATURE RANGE GUIDELINES SECTION.

**NOTE: FORCE TO COMPRESS AT 0 PSI INTERNAL PRESSURE NO BUMPER IS:
 (120 LBS FORCE TO GO TO 3.4" HEIGHT)
 (120 LBS FORCE TO GO TO 3.2" HEIGHT)
 (180 LBS FORCE TO GO TO 3.0" HEIGHT)
 (450 LBS FORCE TO GO TO 2.8" HEIGHT)

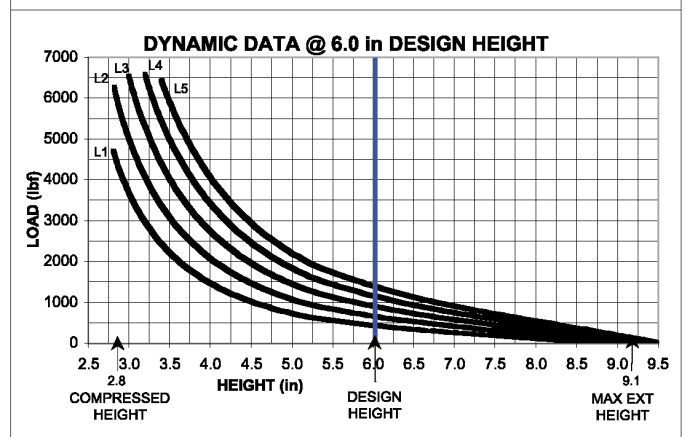
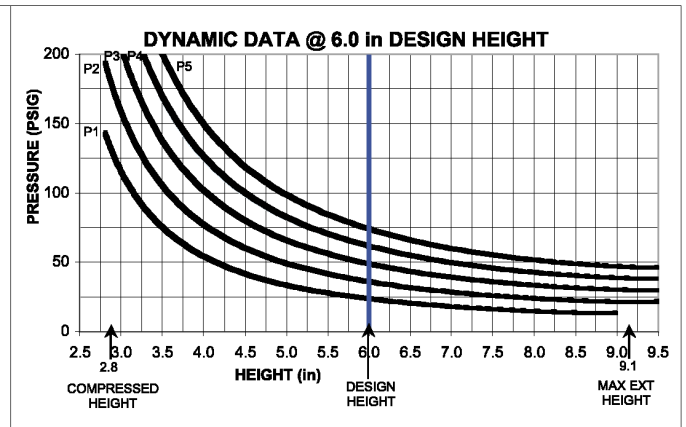
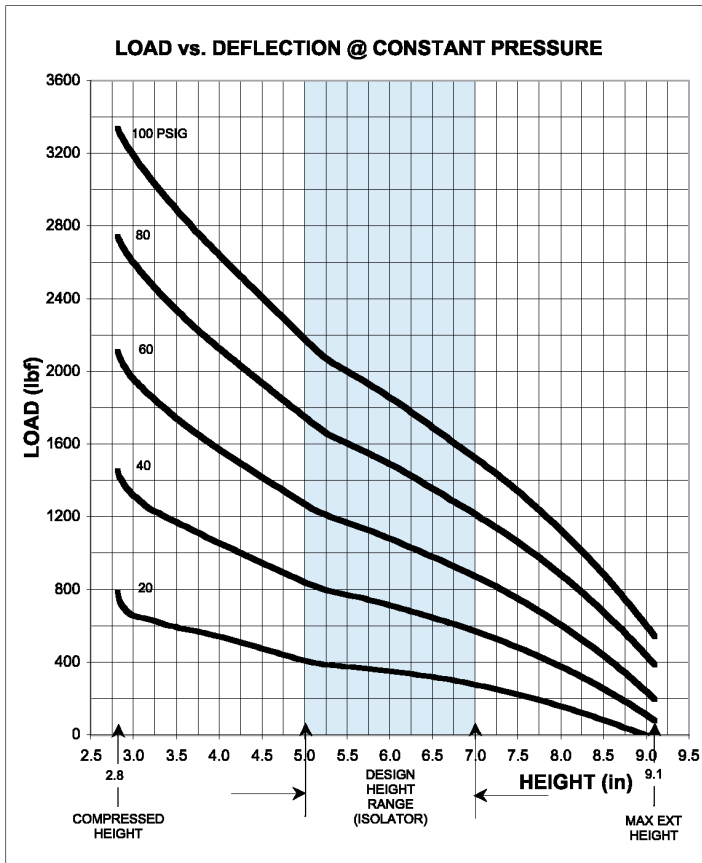
*** BASED ON 3.2" COMPRESSED HEIGHT

RECOMMENDED MAX. TORQUE VALUES

3/8"-16 UNC BLIND TAP TYP. OF (4)	1/4"-18 UNC AIR FITTING
240 in-lb 20 ft-lb	240 in-lb 20 ft-lb

NOTE: SEE GUIDELINES FOR PROPER APPLICATION OF THIS PRODUCT

GRAPHS FOR REFERENCE ONLY - USE THE CHART DATA BELOW FOR DESIGN WORK



****NOTE: MAXIMUM INFLATION PRESSURE IS 100 PSIG. MAXIMUM JOUNCE PRESSURE IS 200 PSIG. IF YOUR APPLICATION WILL EXCEED THESE LIMITS, CONSULT A GOODYEAR REPRESENTATIVE FOR APPLICATION ASSISTANCE.**

CONSTANT PRESSURE CHARACTERISTICS

Assembly Height (in)	Volume @ 100 PSIG (in ³)	Nominal Force (lb)				
		@ 20 PSIG	@ 40 PSIG	@ 60 PSIG	@ 80 PSIG	@ 100 PSIG
9.1	169	0	80	200	380	560
8.5	162	90	260	460	680	900
8.0	155	170	400	630	900	1150
7.5	147	240	500	750	1100	1400
7.0	138	300	580	900	1250	1500
6.0	119	380	750	1100	1500	1900
5.0	97	440	850	1300	1800	2200
4.5	85	520	1000	1450	2000	2500
3.5	59	680	1250	1800	2400	3000
2.8	38	750	1500	2100	2700	3300

DYNAMIC CHARACTERISTICS

Design Height (in)	Load (lb)	Pressure (PSIG)	Spring Rate (lb/in)	Natural Frequency	
				cpm	Hz
7.0	500	32	245	131	2.18
	750	47	335	126	2.10
	1000	63	440	125	2.08
	1250	78	530	123	2.05
	1500	94	645	122	2.03
6.0	500	26	250	132	2.20
	750	40	345	128	2.13
	1000	53	440	124	2.07
	1250	65	530	122	2.03
	1500	77	625	121	2.02
5.0	500	23	360	159	2.65
	750	34	475	149	2.48
	1000	45	595	145	2.42
	1250	57	705	141	2.35
	1500	68	845	140	2.33