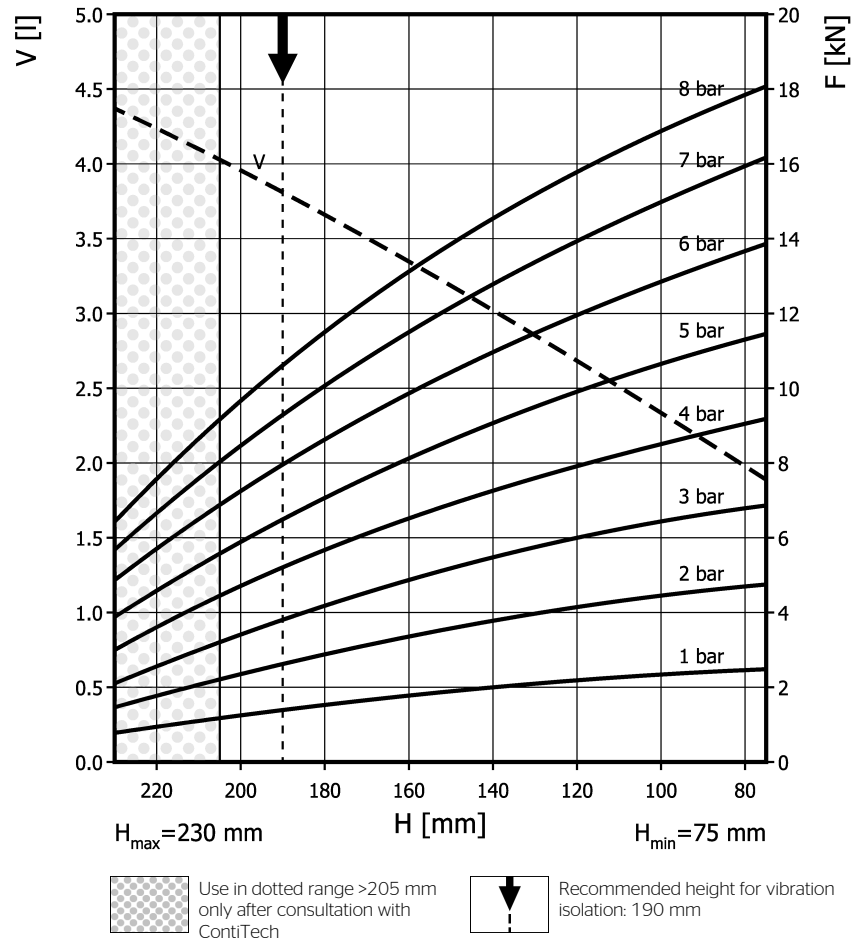
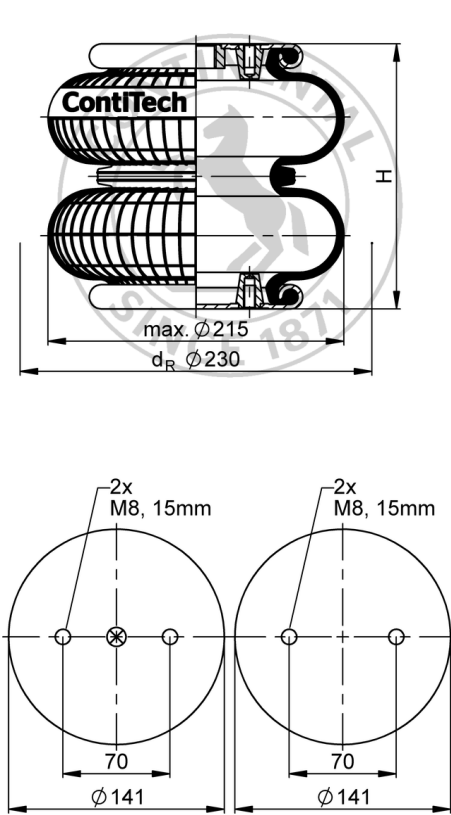


FD 120-17 CI

Double Convolution Air Actuator



Purchase order data

Type	Order No.
rubber bellows only	60221
with crimped plates, G1/4 air inlet A = 0 mm excentrical	61361
with crimped plates, G3/4 air inlet A = 0 mm excentrical	2682030000

Additional types on request

Technical data

Min. pressure	0 bar
Return force to min height	≤ 200 N
Overall weight	2.3 kg

Vibration isolation - dynamic characteristic values

Design height H: recommended 190mm, minimum 175mm

Pressure p [bar]	3	4	5	6	7	8	Vol. V [l]
Force (Load) [kN]	3.8	5.2	6.5	8	9.3	10.6	3.8
Spring rate [N/mm]	60	83	106	129	152	175	
Natural frequency [Hz]	2.1	2.0	2.0	2.0	2.0	2.0	

Pneumatic application - static characteristic values

Force F [kN]

Pressure p [bar]	3	4	5	6	7	8	Vol. V [l]	
Height H [mm]	200	3.4	4.75	5.9	7.25	8.5	9.7	4
	180	4.18	5.65	7.05	8.6	10.1	11.5	3.6
	160	4.9	6.5	8.13	9.85	11.5	13.1	3.3
	140	5.48	7.24	9.05	10.9	12.7	14.5	3
	120	5.98	7.93	9.9	11.9	13.9	15.8	2.7
	100	6.43	8.54	10.7	12.9	15.1	16.9	2.3
	80	6.8	9.05	11.3	13.7	15.9	17.9	2



Service instructions

M8: max. 25 Nm

G1/4: max. 25 Nm

G3/4: max. 50 Nm

Measuring procedure: Room temperature / Force-height-data quasistatic / Dynamic data at 1 Hz