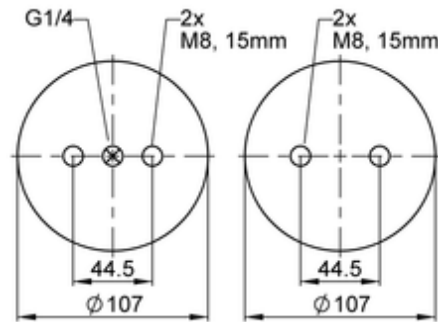
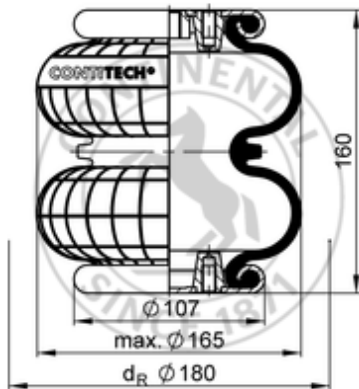










**FD 70-13 1/4 M8**

**2682015000**



-  bolt or stud
-  hole
-  combination stud
-  air inlet
-  stud and nut

	1,4 kg
	G1/4: max. 25 Nm
	M8: max. 25 Nm

**OE Manufacturer/Part No.**

Manufacturer	Original Part No.	Model
Gigant	196027	
Gigant	700196027	