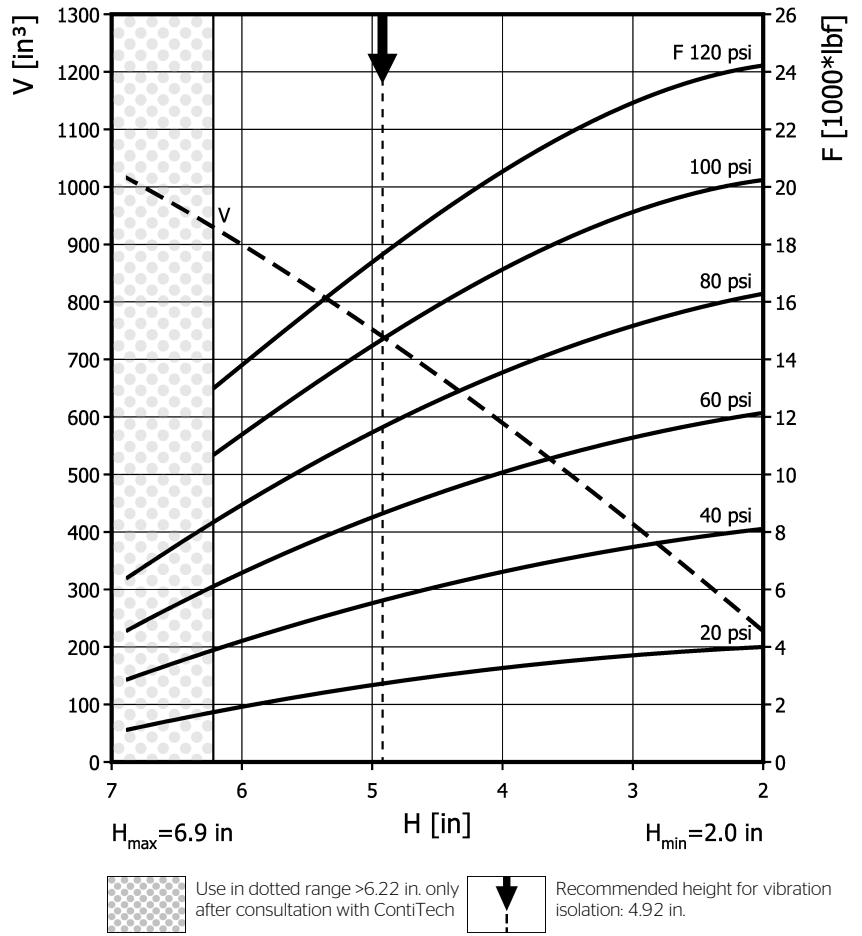
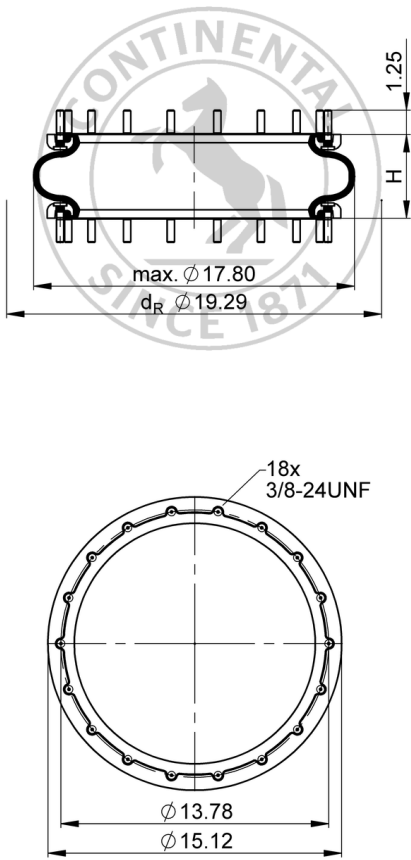


FS 960-12 RS

Single Convolution Air Actuator



Purchase order data

Type	Order No.
rubber bellows only	61775
with bead rings, 1 7/8in bolts, nuts and washers	62977

Additional types on request

Technical data

Min. pressure	0	psi
Return force to min height	≤ 90	lbf
Overall weight	11	lb

Vibration isolation - dynamic characteristic values

Design height H: recommended 4.92 inch, minimum 4.33 inch

Pressure p	[psi]	40	60	80	100	120	Vol. V [in.³]
Force (Load)	[lbf]	5900	9040	12100	15100	18200	
Spring rate	[lbf/in.]	3160	4500	5790	7180	8570	
Natural frequency	[Hz]	2.3	2.2	2.2	2.2	2.1	

Pneumatic application - static characteristic values

Force F [lbf]

Pressure p	[psi]	40	60	80	100	120	Vol. V [in.³]	
Height H [in.]	6.0	4220	6590	8960	11400	13800		900
	5.0	5570	8490	11500	14500	17400		750
	4.0	6540	10000	13500	17000	20500		590
	3.0	7530	11300	15200	19200	23000	410	



Service instructions
 3/8-24 UNF: max. 30 lbf ft
 M10: max. 30 lbf ft

Measuring procedure: Room temperature / Force-height-data quasistatic / Dynamic data at 1 Hz