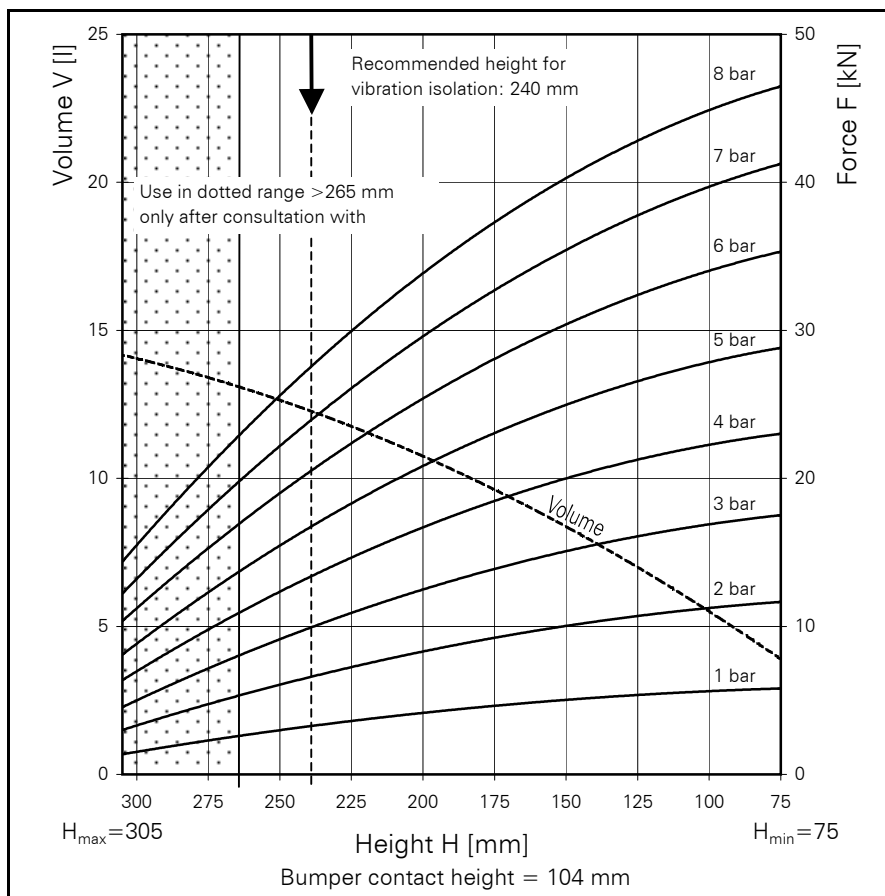
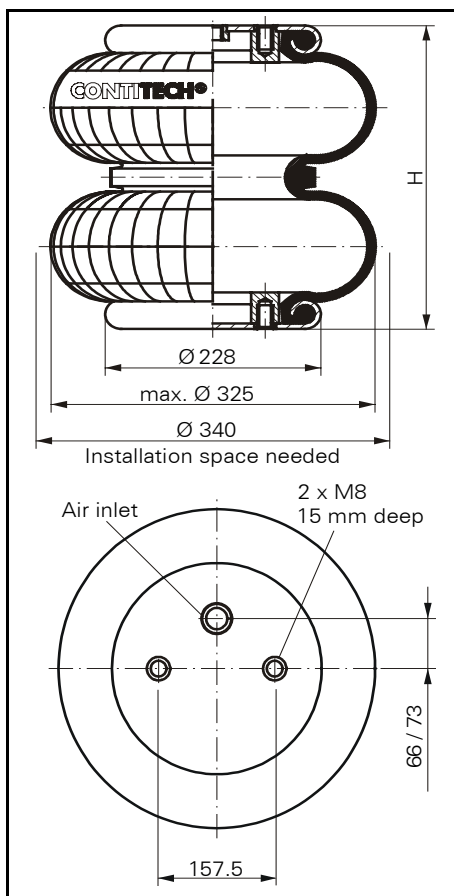


FD 330-22

CONTI® Double Convolution Air Spring



FD 330-22

Force-height diagram

Purchase order data

Type	Order No.
Rubber bellows only	2681 098 960
With clamped plates G 1 air inlet 66 mm excentrical	2682 060 000
With clamped plates G 1/4 air inlet 73 mm excentrical	60031
With clamped plates G 1/4 air inlet 73 mm excentrical and with bumper	2682 067 000
With stainless steel clamped plates G 1 air inlet 66 mm excentrical	61959

Additional types on request



Service instructions
M8 = 25 Nm
G 1/4 = 25 Nm
G 1 = 50 Nm

Technical data

Min. pressure	0 bar
Return force to min. height	≤ 300 N
Overall weight with clamped plates	4.8 kg

Vibration isolation - dynamic characteristic values

Design height H: recommended 240mm, minimum 220mm

Pressure p [bar]	3	4	5	6	7	8	Vol V[l]
Force (Load) [kN]	10.0	13.3	16.7	20.6	24.1	27.6	12.0
Spring rate [N/cm]	1590	1900	2210	2520	2830	3140	
Natural frequency [Hz]	2.0	1.9	1.8	1.8	1.7	1.7	

Pneumatic application - static characteristic values

Force F [kN]								
Pressure p [bar]	3	4	5	6	7	8	Vol.[l]	
Height H [mm]	240	10.0	13.3	16.7	20.6	24.1	27.6	12.3
	220	11.3	15.2	18.9	23.1	26.9	30.8	11.6
	200	12.5	16.7	20.8	25.3	29.5	33.8	10.8
	180	13.6	18.2	22.7	27.5	32.0	36.5	9.9
	160	14.6	19.4	24.3	29.5	34.3	39.1	8.9
	140	15.4	20.5	25.5	31.1	36.3	41.3	7.8
	120	16.3	21.4	26.7	32.7	38.2	43.4	6.7
	100	16.8	22.1	27.8	34.1	39.8	45.0	5.5