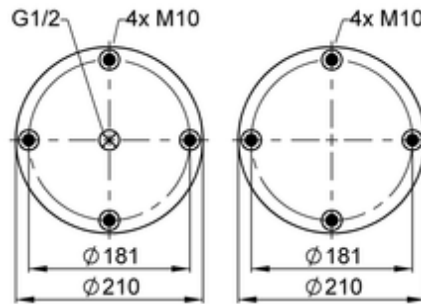
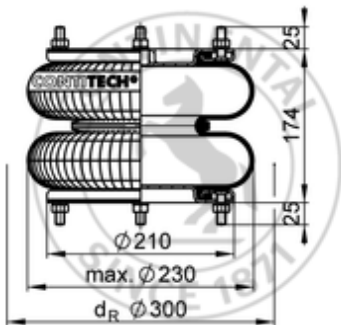


FD 210-22 1/2 M10
67403


- bolt or stud
- hole
- combination stud
- air inlet
- stud and nut

kg	4,9 kg
	incl.
	G1/2: max. 25 Nm
	M10: max. 35 Nm

OE Manufacturer/Part No.

Manufacturer	Original Part No.	Model
Granning	15807	
SAMRO	H2500021	