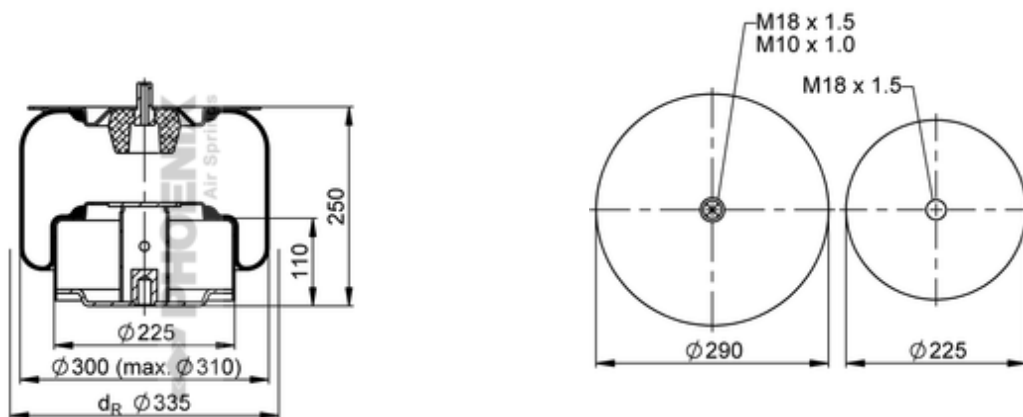




1 E 25-9

75339



-  bolt or stud
-  hole
-  combination stud
-  air inlet

	8,5 kg
	M18x1.5: max. 80 Nm

OE Manufacturer/Part No.

Manufacturer	Original Part No.	Model
ZF Sachs	0501 217 174	
ZF Sachs	0501 215 602	RL85A, RL75EC, AVN132