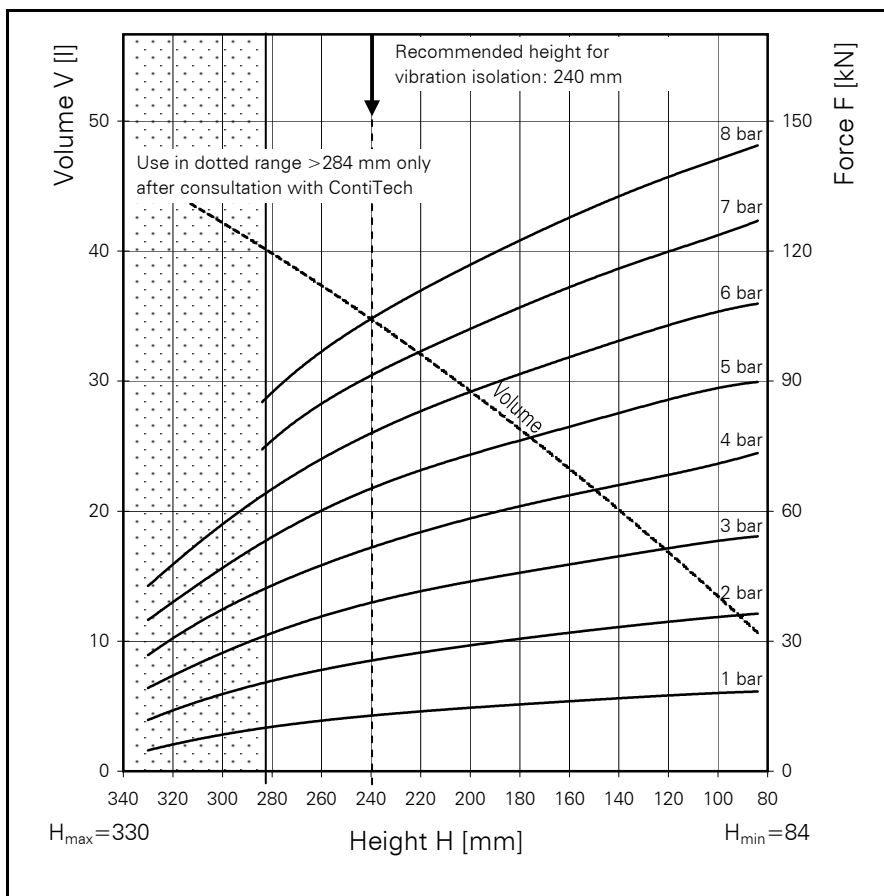
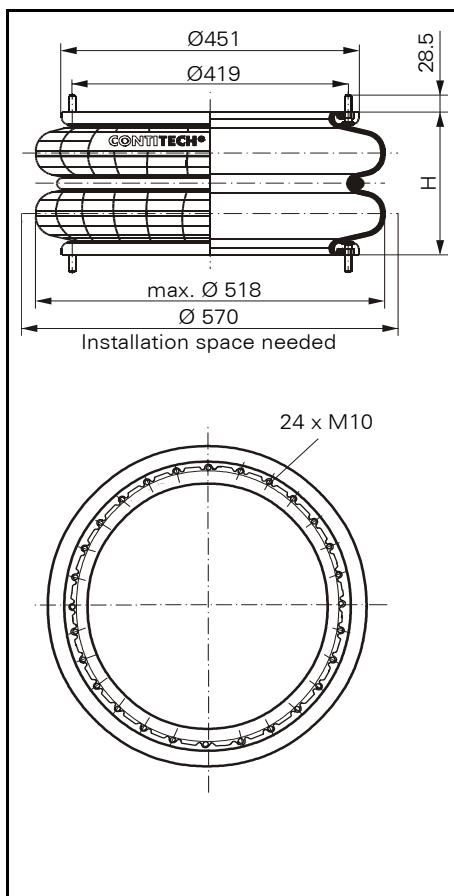


FD 1330-25

CONTI® Double Convolution Air Spring



FD 1330-25

Force-height diagram

Purchase order data

Technical data

| | |
|---|-----------|
| Type | Order No. |
| Rubber bellows only | 61779 |
| Bellows with bead rings 45mm bolts, nuts and washers | 61904 |

| | |
|------------------------------------|---------|
| Min. pressure | 0 bar |
| Return force to min. height | ≤ 178 N |
| Overall weight with clamped plates | 10.2 kg |

Additional types on request

Vibration isolation - dynamic characteristic values

Design height H: recommended 240mm, minimum 220mm

| | | | | | | | |
|------------------------|------|------|------|------|------|-------|-----------|
| Pressure p [bar] | 3 | 4 | 5 | 6 | 7 | 8 | Vol V [l] |
| Force (Load) [kN] | 39.0 | 51.4 | 65.3 | 77.8 | 91.1 | 103.9 | |
| Spring rate [N/cm] | 4140 | 5370 | 6510 | 7640 | 8740 | 9960 | |
| Natural frequency [Hz] | 1.6 | 1.6 | 1.6 | 1.5 | 1.5 | 1.5 | |

Pneumatic application - static characteristic values

Force F [kN]

| | | | | | | | | |
|------------------|-----|------|------|------|-------|-------|---------|-------|
| Pressure p [bar] | 3 | 4 | 5 | 6 | 7 | 8 | Vol.[l] | |
| Height H [mm] | 270 | 34.1 | 45.9 | 57.6 | 69.2 | 81.1 | | 92.8 |
| | 240 | 39.0 | 51.4 | 65.3 | 77.8 | 91.1 | | 103.9 |
| | 210 | 42.4 | 56.5 | 70.9 | 85.2 | 99.4 | | 114.0 |
| | 180 | 45.8 | 61.2 | 76.5 | 91.8 | 107.3 | | 122.7 |
| | 150 | 48.7 | 64.9 | 81.0 | 97.3 | 113.5 | | 129.9 |
| | 120 | 51.4 | 68.4 | 85.7 | 102.8 | 119.9 | | 137.0 |

Service instructions
M 10 = 40 Nm