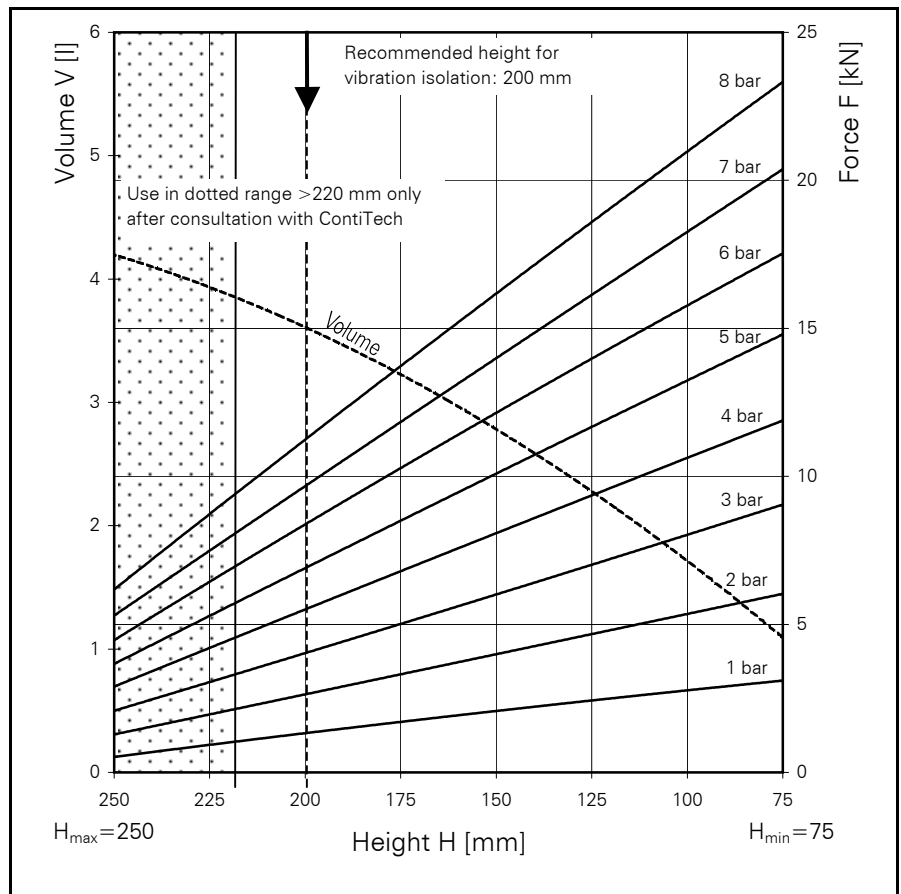
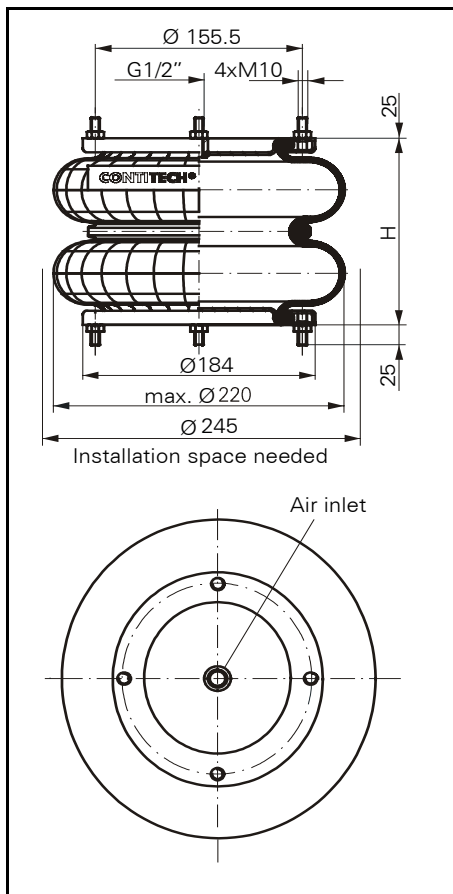


FD 138-18

CONTI® Double Convolution Air Spring



FD 138-18

Force-height diagram

Purchase order data

Technical data

Type	Order No.
Rubber bellows only	on request
With removable plates and G 1/2 air inlet	on request

Min. pressure	0 bar
Return force to min. height	≤ 200 N
Overall weight with metal plates	3.7 kg

Additional types on request

Vibration isolation - dynamic characteristic values

Design height H: recommended 200mm, minimum 180mm

Pressure p [bar]	3	4	5	6	7	8	Vol V[l]
Force (Load) [kN]	4.00	5.50	6.90	8.40	9.80	11.20	3.6
Spring rate [N/cm]	680	880	1090	1280	1480	1680	
Natural frequency [Hz]	2.1	2.0	2.0	2.0	2.0	2.0	

Pneumatic application - static characteristic values

Force F [kN]

Pressure p [bar]	3	4	5	6	7	8	Vol.[l]	
Height H [mm]	200	4.0	5.5	6.8	8.3	9.7	11.2	3.6
	150	6.0	8.1	10.2	12.2	13.9	16.2	2.8
	100	8.1	10.6	13.2	15.8	18.4	21.0	1.7



Service instructions

M10 = 25 Nm

G 1/2 = 25 Nm