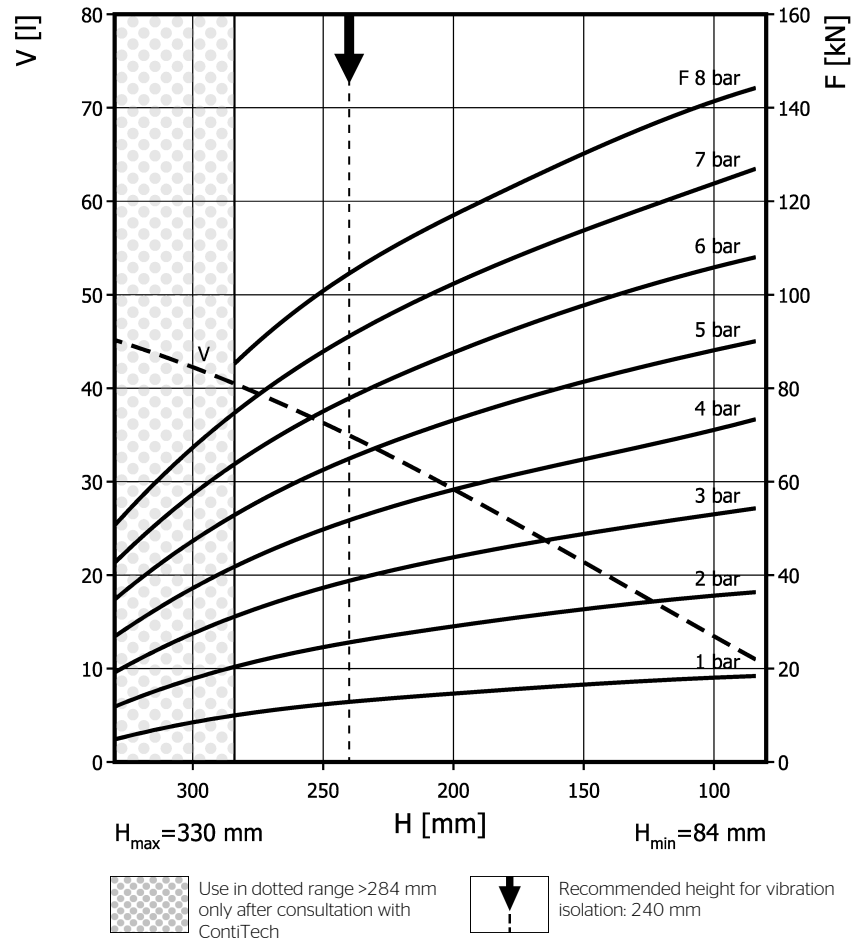
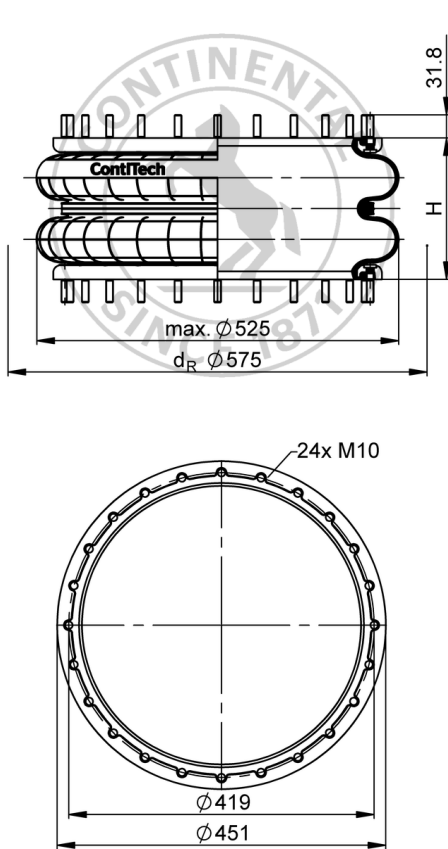


# FD 1330-25 RS

# Double Convolution Air Actuator



Use in dotted range >284 mm only after consultation with ContiTech
 Recommended height for vibration isolation: 240 mm

## Purchase order data

Type	Order No.
rubber bellows only	61779
with bead rings, 48mm bolts, nuts and washers	61904

Additional types on request

## Technical data

Min. pressure	0 bar
Return force to min height	≤ 200 N
Overall weight	10.2 kg

### Vibration isolation - dynamic characteristic values

Design height H: recommended 240mm, minimum 220mm

Pressure p [bar]	3	4	5	6	7	8	Vol. V [l]
Force (Load) [kN]	39	51.4	65.3	77.8	91.1	103.9	
Spring rate [N/mm]	414	537	651	764	874	996	
Natural frequency [Hz]	1.6	1.6	1.6	1.5	1.5	1.5	

### Pneumatic application - static characteristic values

Force F [kN]

Pressure p [bar]	3	4	5	6	7	8	Vol. V [l]
Height H [mm]	270	34.1	45.9	57.6	69.2	81.1	
	240	39	51.4	65.3	77.8	91.1	35
	210	42.4	56.5	70.9	85.2	99.4	31
	180	45.8	61.2	76.5	91.8	107	26
	150	48.7	64.9	81	97.3	114	22
	120	51.4	68.4	85.7	103	120	17



Service instructions  
M10: max. 40 Nm

Measuring procedure: Room temperature / Force-height-data quasistatic / Dynamic data at 1 Hz