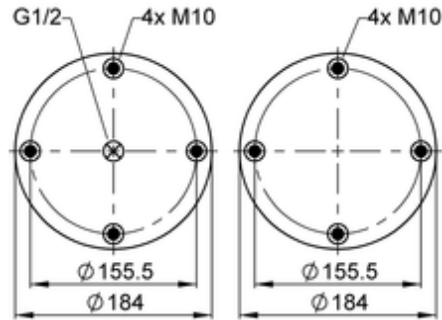
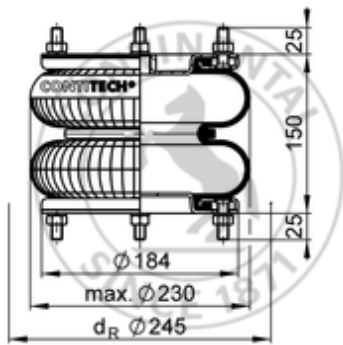


FD 138-18 1/2 M10
66505


bolt or stud
 hole
 ⊗ combination stud
 ⊗ air inlet
 ● stud and nut

	3,9 kg
	incl.
	G1/2: max. 25 Nm
	M10: max. 35 Nm

OE Manufacturer/Part No.

Manufacturer	Original Part No.	Model
SAMRO	H2500188	
Fruehauf	F 48054	
Fruehauf	M 80A04	
Granning	15803	
Lohr	A06030604	