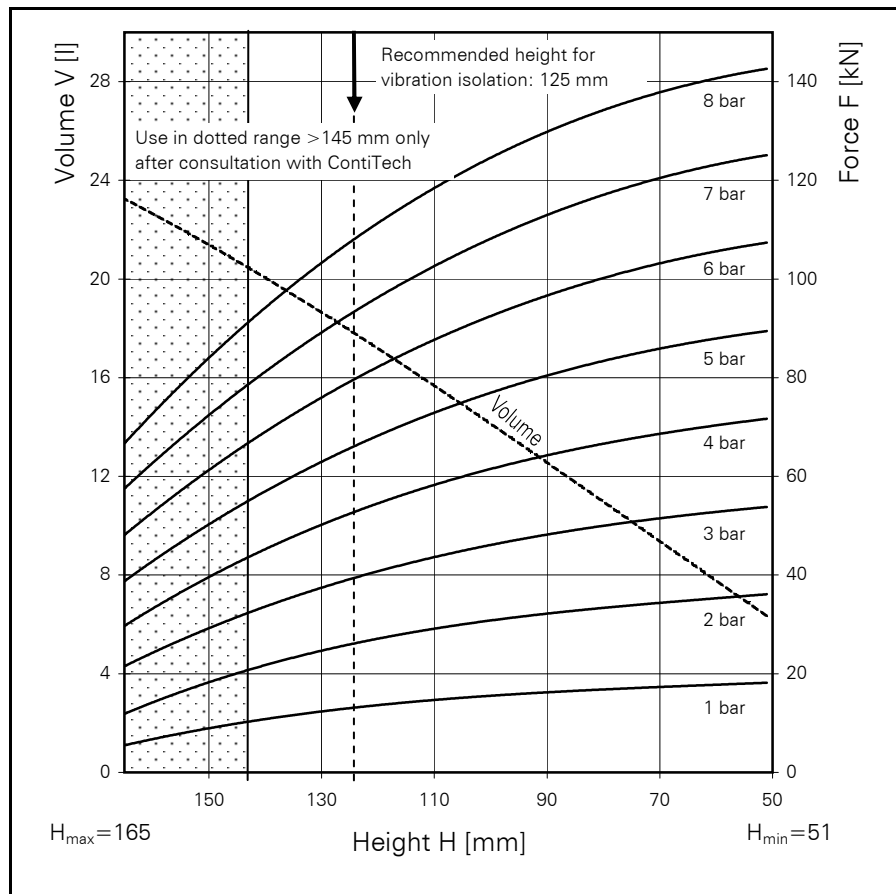
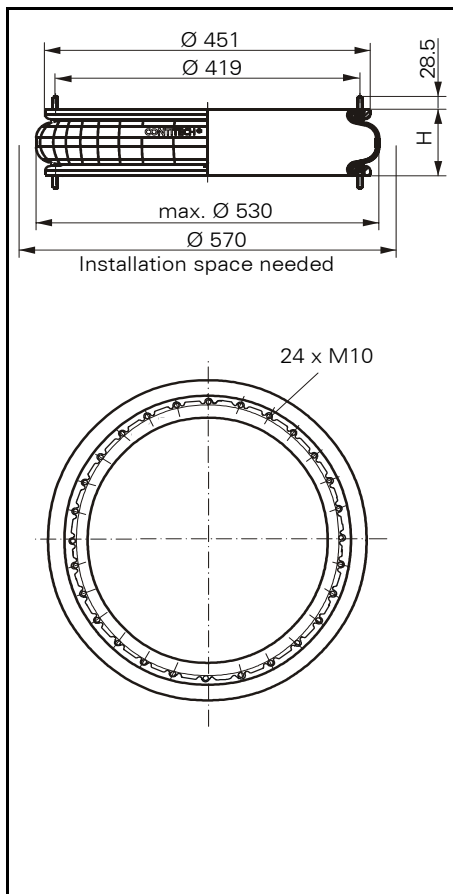


FS 1330-11

CONTI® Single Convolution Air Spring



FS 1330-11

Force-height diagram

Purchase order data

Type	Order No.
Rubber bellows only	61778
Bellows with bead rings 45mm bolts, nuts and washers	61899

Additional types on request

Technical data

Min. pressure	0 bar
Return force to min. height	≤ 89 N
Overall weight with clamped plates	7.3 kg

Vibration isolation - dynamic characteristic values

Design height H: recommended 125mm, minimum 105mm

Pressure p [bar]	3	4	5	6	7	8	Vol V [l]
Force (Load) [kN]	39.0	52.0	65.0	79.0	93.0	108.0	
Spring rate [N/cm]	8130	10530	12740	15240	17660	19850	
Natural frequency [Hz]	2.3	2.2	2.2	2.2	2.2	2.2	

Pneumatic application - static characteristic values

Force F [kN]

Pressure p [bar]	3	4	5	6	7	8	Vol.[l]
Height H [mm]	140	130	120	110	100	90	80
	34.0	37.4	40.3	43.0	46.0	48.4	50.3
	45.8	50.2	54.0	57.6	61.2	64.5	67.1
	57.5	63.0	67.6	72.3	76.8	80.6	83.9
	69.5	76.1	81.4	86.7	92.5	96.9	100.7
	81.8	89.2	95.5	101.8	108.0	113.2	117.7
	94.1	102.4	111.8	119.0	123.7	129.6	134.5
	20.1	18.7	17.1	15.7	14.0	12.7	11.0
							9.3

Service instructions
M 10 = 40 Nm