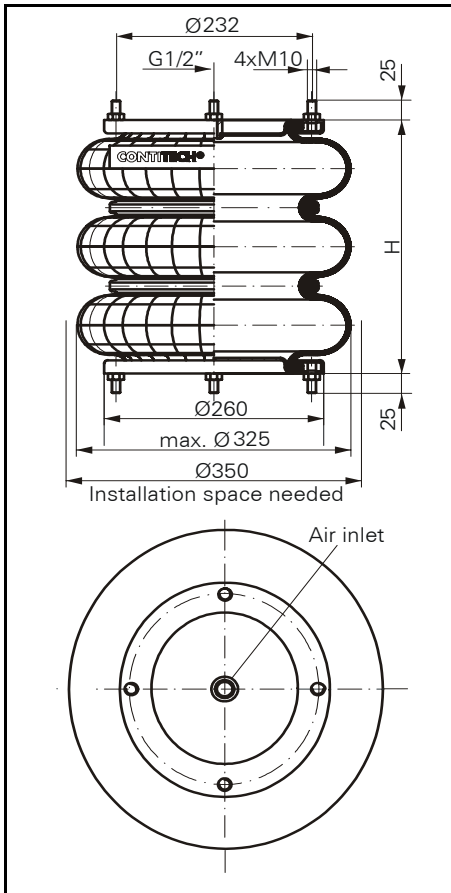
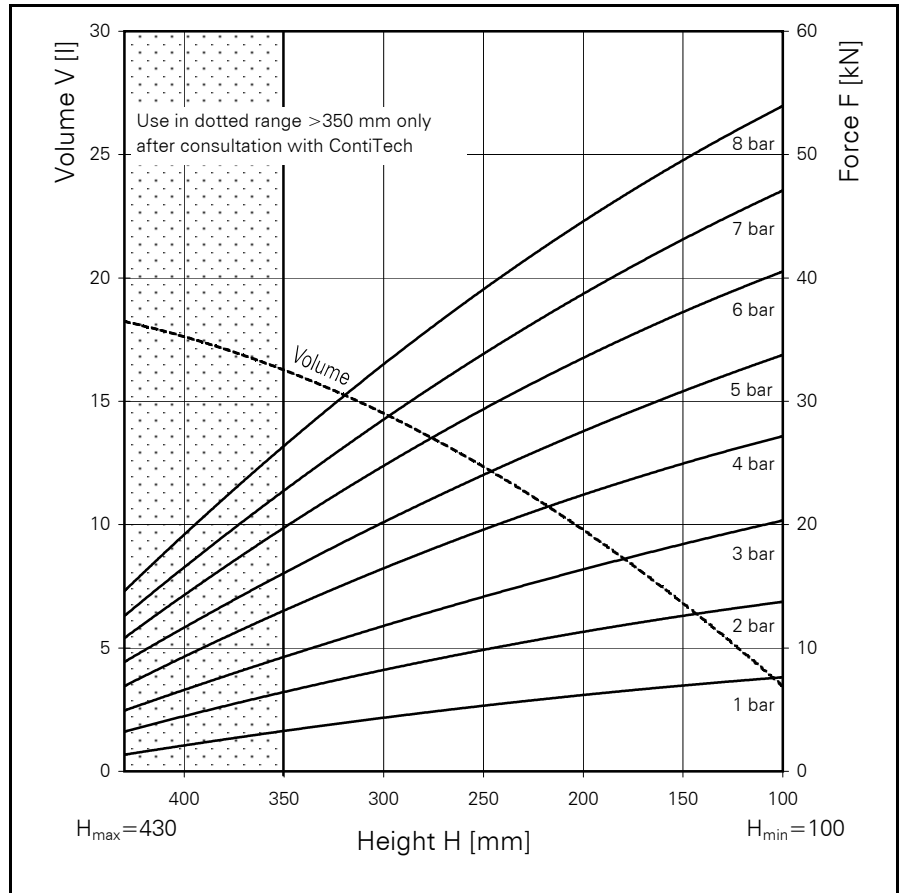


FT 412-32

CONTI® Triple Convolution Air Spring



FT 412-32



Force-height diagram

Purchase order data

Type	Order No.
Rubber bellows only	on request
With removable plates and G 1/2 air inlet	on request

Technical data

Min. pressure	0 bar
Return force to min. height	≤ 400 N
Overall weight with metal plates	8.1 kg

Additional types on request

Pneumatic application - static characteristic values

Force F [kN]

Pressure p [bar]	3	4	5	6	7	8	Vol.[l]	
Height H [mm]	350	9.3	13.1	16.0	19.7	22.8	26.3	16.3
	300	11.8	16.4	20.3	24.7	28.4	33.0	14.5
	250	14.2	19.6	24.0	29.3	33.8	39.1	12.4
	200	16.3	22.3	27.5	33.5	38.7	44.5	9.8
	150	18.5	25.0	30.8	37.3	43.3	49.5	6.7



Service instructions  
 M10 = 25 Nm  
 G 1/2 = 25 Nm