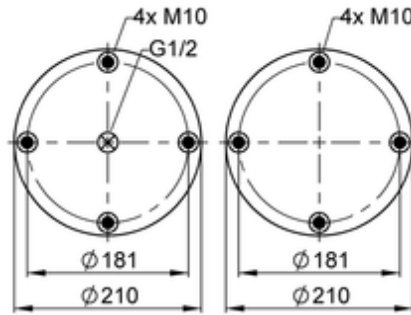
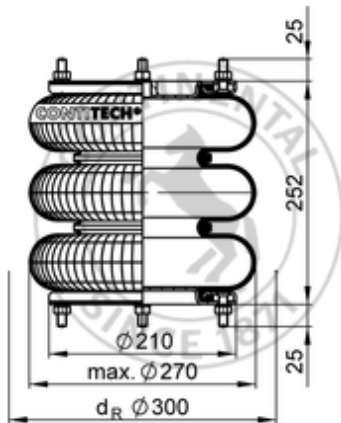


FT 210-32 1/2 M10

67402



- bolt or stud
- hole
- combination stud
- air inlet
- stud and nut

| | |
|----|------------------|
| kg | 6 kg |
| | incl. |
| | G1/2: max. 25 Nm |
| | M10: max. 35 Nm |

OE Manufacturer/Part No.

| Manufacturer | Original Part No. | Model |
|--------------|-------------------|-------|
| Weweler | 510016D | |
| SAMRO | H2500010 | |