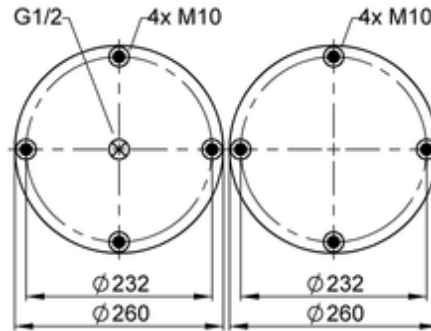
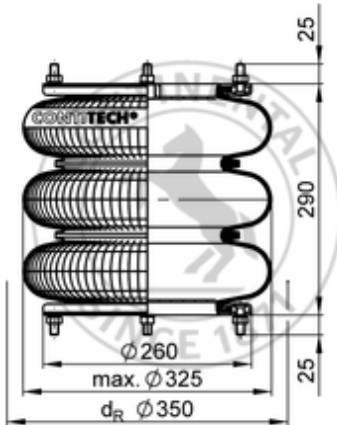


FT 412-32 1/2 M10

66339



- bolt or stud
- hole
- combination stud
- air inlet
- stud and nut

		8,6 kg
		incl.
		G1/2: max. 25 Nm
		M10: max. 35 Nm

OE Manufacturer/Part No.

Manufacturer	Original Part No.	Model
Gigant	881204	
Granning	15816	
Gigant	700881204	