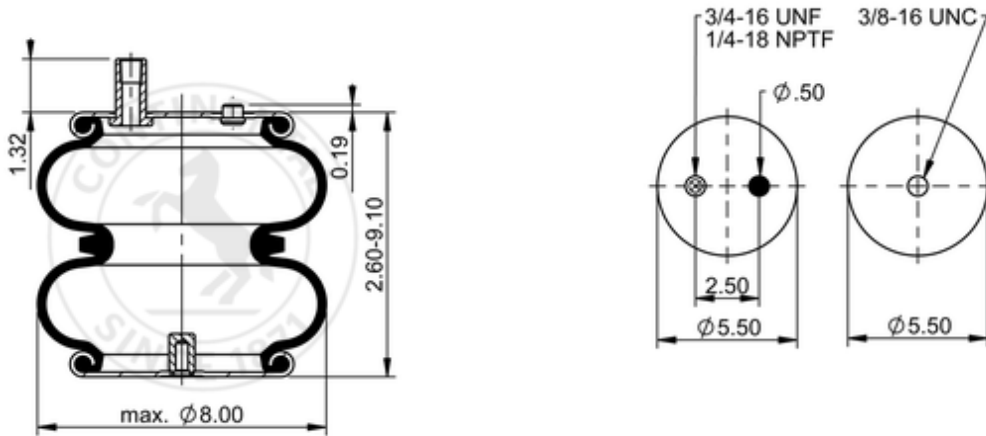






FD 110-15 758

65391



 lb	4.5 lb
	1/4-18 NPTF: max. 22 lbf ft
	3/4-16 UNF: max. 50 lbf ft
	3/8-16 UNC: max. 20 lbf ft

Cross-reference

Firestone Style	224C
Firestone No.	W21-760-6401
Triangle	AS-4758
Automann	2B06RD-6401

OE Manufacturer/Part No.

Manufacturer	Original Part No.	Model
--------------	-------------------	-------

