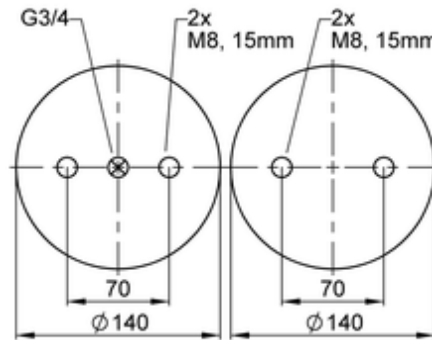
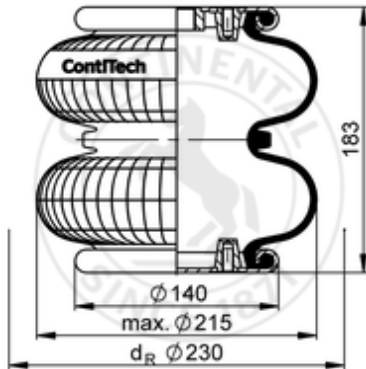


FD 120-17 3/4 M8
2682030000


- bolt or stud
- hole
- combination stud
- air inlet
- stud and nut

	2,1 kg
	G3/4: max. 50 Nm
	M8: max. 25 Nm

OE Manufacturer/Part No.

Manufacturer	Original Part No.	Model
Gigant	700196028	
Gigant	196028	
Granning	16036	