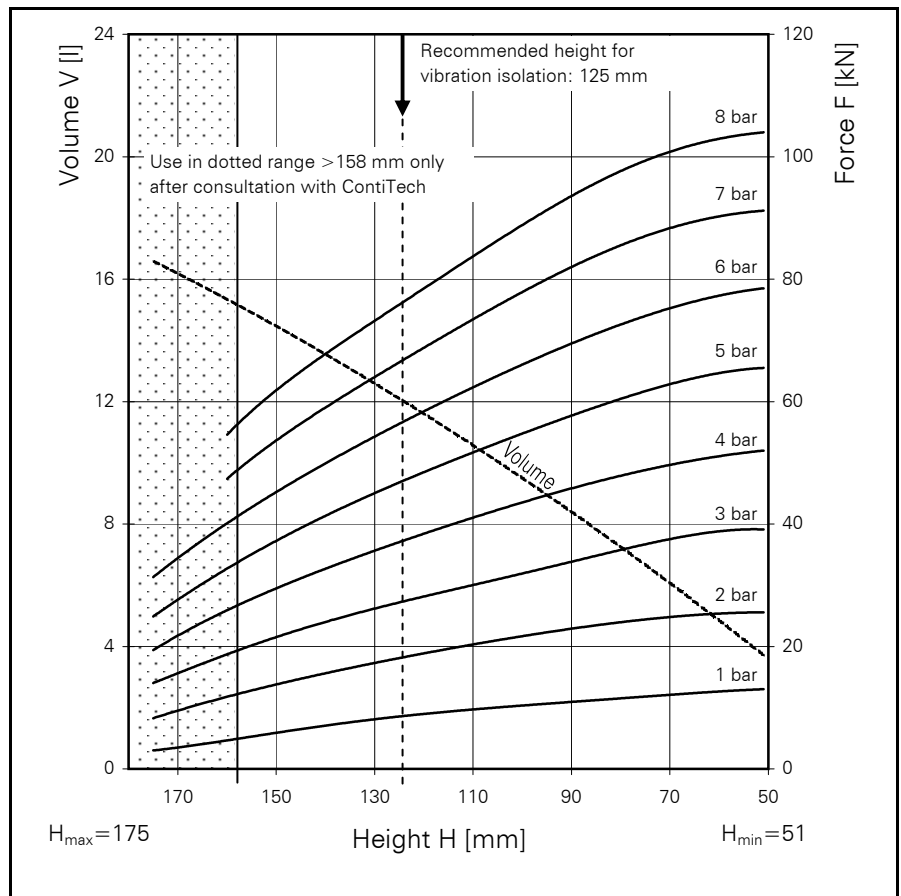
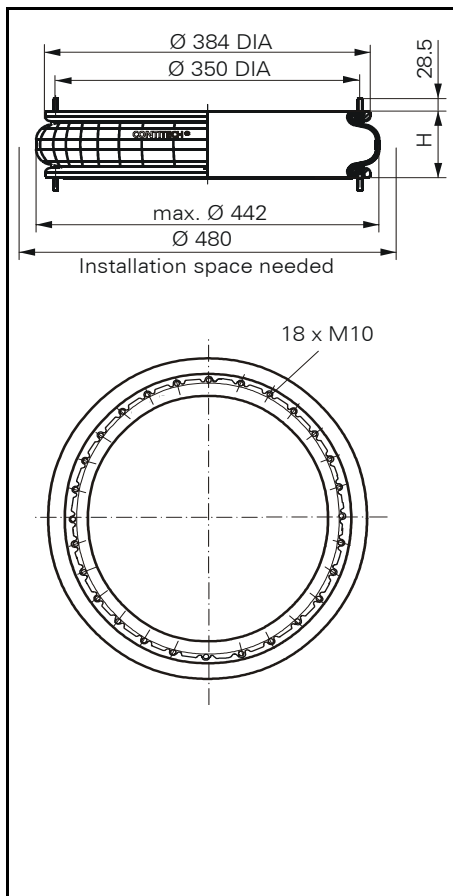


FS 960-12

CONTI® Single Convolution Air Spring



FS 960-12

Force-height diagram

Purchase order data

Type	Order No.
Rubber bellows only	61775
Bellows with bead rings, 45 mm bolts, nuts and washers	61898

Additional types on request

Technical data

Min. pressure	0 bar
Return force to min. height	≤ 100 N
Overall weight with clamped plates	5.0 kg

Vibration isolation - dynamic characteristic values

Design height H: recommended 125mm, minimum 110mm

Pressure p [bar]	3	4	5	6	7	8	Vol V [l]
Force (Load) [kN]	28.7	38.8	49.0	58.7	68.4	78.1	
Spring rate [N/cm]	5950	7670	9240	11000	12760	14530	
Natural frequency [Hz]	2.3	2.2	2.2	2.2	2.2	2.1	

Pneumatic application - static characteristic values

Force F [kN]

Pressure p [bar]	3	4	5	6	7	8	Vol.[l]	
Height H [mm]	140	23.9	32.7	41.3	49.7	59.0		67.6
	130	25.8	35.8	45.1	54.3	63.9		73.4
	120	28.2	38.4	48.2	58.5	68.8		78.3
	110	30.0	41.2	51.7	62.3	73.5		83.5
	100	31.8	43.4	54.8	65.9	77.6		88.9
	90	33.9	45.8	57.7	69.6	82.1		93.6
	80	35.7	48.0	60.5	72.5	85.7		97.8
	70	37.6	49.6	62.8	75.3	88.2		100.7

Service instructions
M 10 = 40 Nm